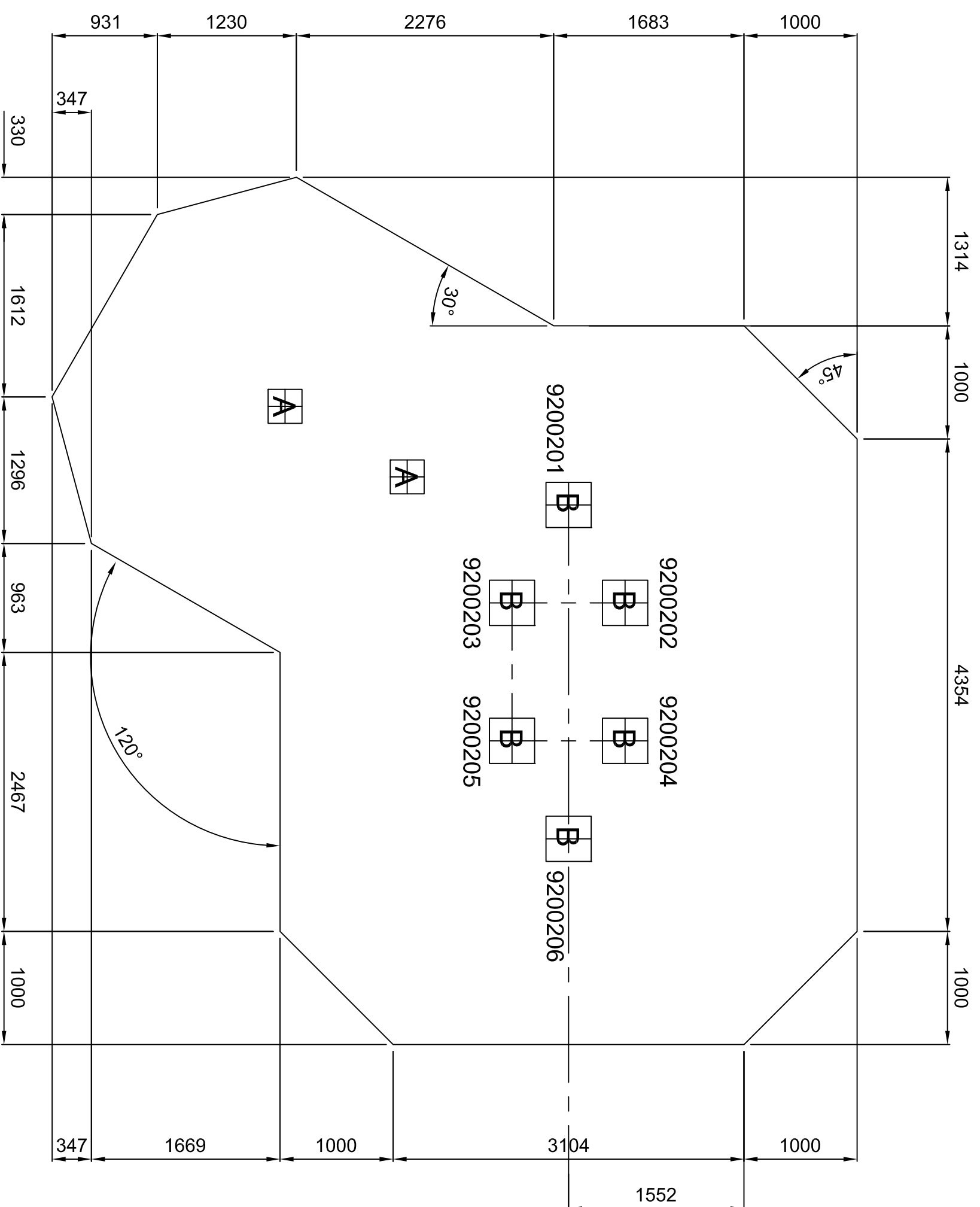
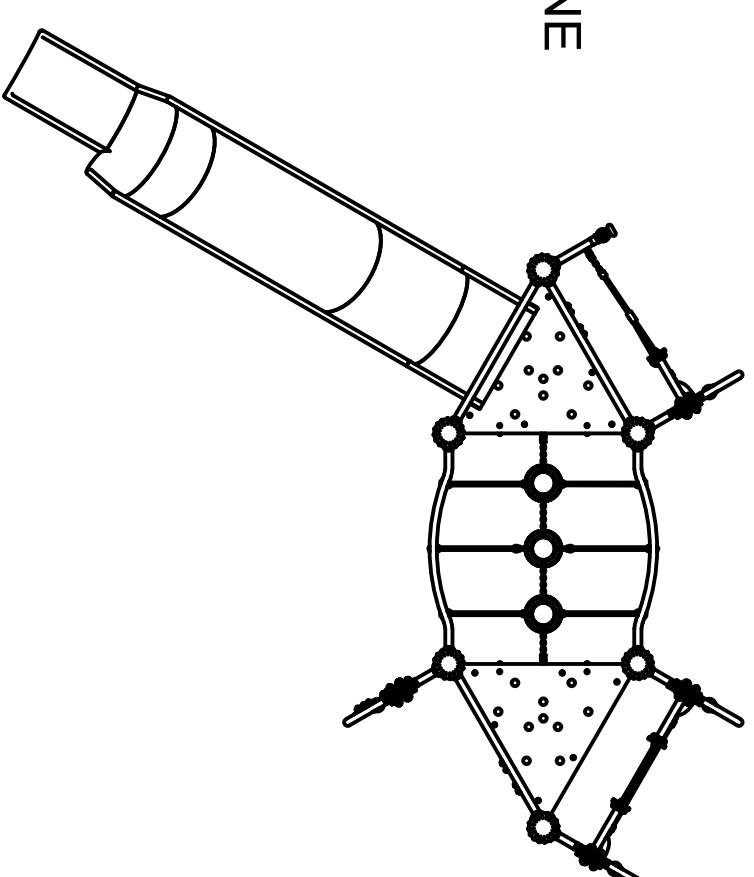


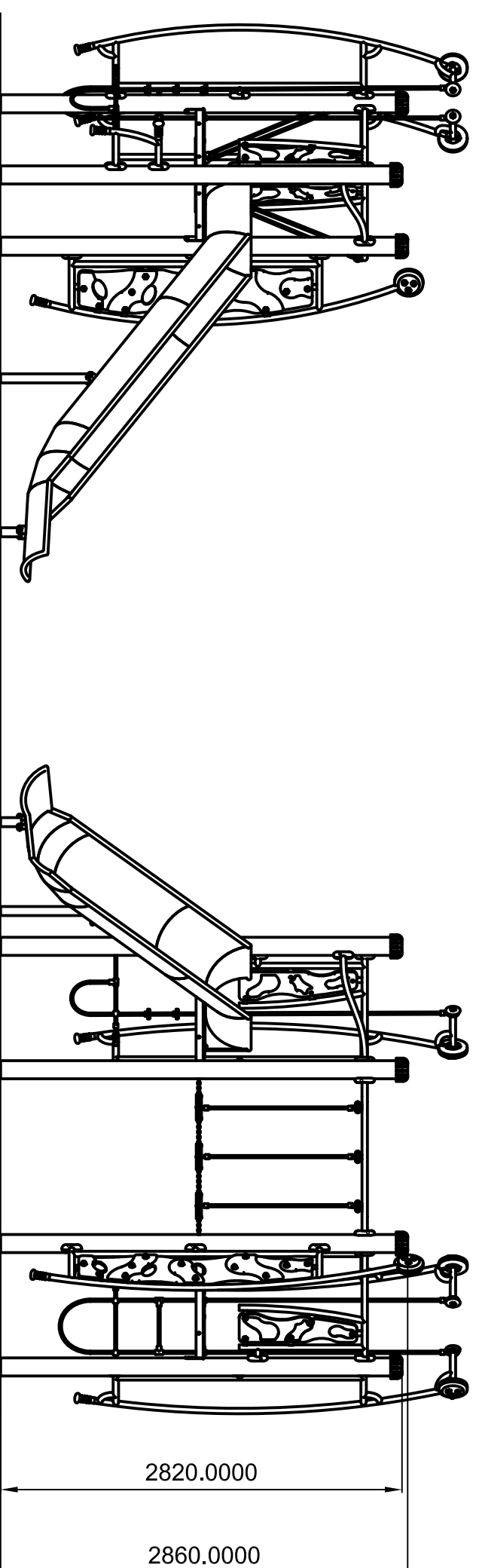
SURFACING PLAN



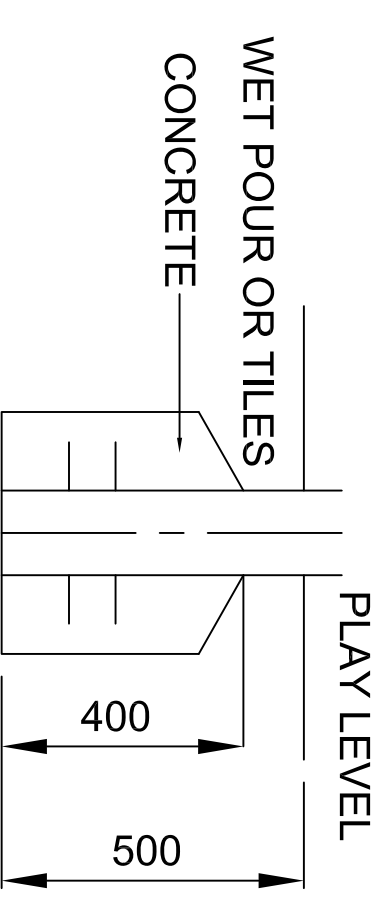
DATUM LINE



design
make
play
SutcliffePlay



FOUNDATION DETAIL
TO EN1176



GROUND PLAN	PNW002
SHEET	2 of 2
REV	00
DRAWN	SH
SCALE	1:40 @ A2
DATE	21/07/17
SURFACE AREA	HIC: 1.6m
PERIMETER	AREA: 38.5m ²
HOLE A	PERIMETER: 24.8m
HOLE B	
HOLE C	
HOLE D	
HOLE E	

SAFETY SURFACING REQUIREMENTS TO EN 1176

DO NOT SCALE THIS DRAWING
SCALE 1:40 WHEN PRINTED ON A2