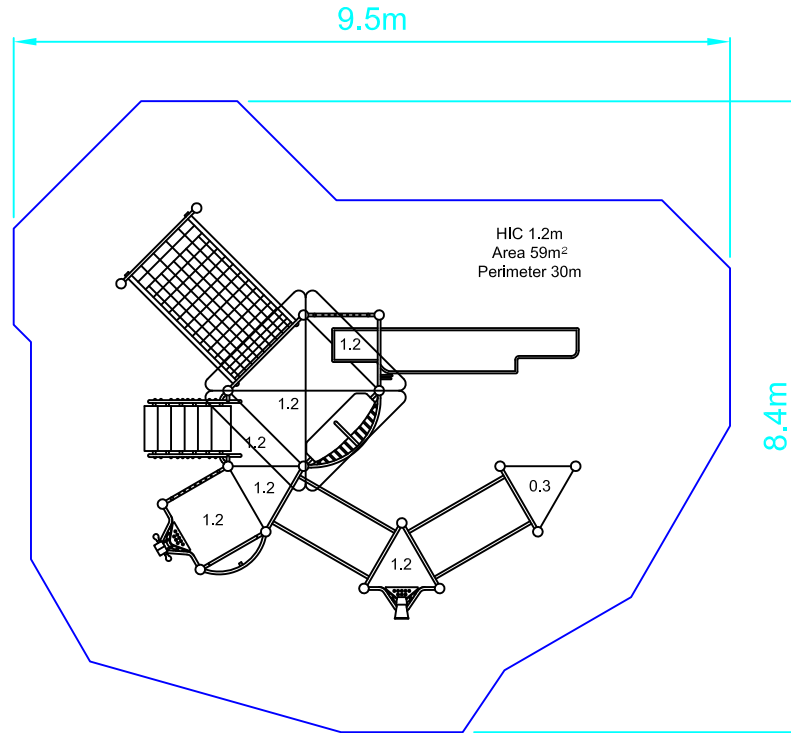


# Scramble & Slide Playzone Unit PZU686/PZW686

Dwn AG Scale 1:100@A4 03/02/11

Good design  
for children  
**SutcliffePlay**



**SAFETY SURFACING**  
AREA 59m<sup>2</sup>  
PERIMETER 30m  
HIC 1.2m

**PRODUCT SPECIFICS**  
Age  
Range 3 - 10 years

**UNIT INCLUDES**

		QTY
DZD100	Square deck	1
DZD200	Triangular decks	3
PZB100	Large square deck	1
PZB110	45° Triangular decks	2
PZB140	1.2m Inclusive slide	1
PZB090	Chute entrance	1
PZA080	High steel barrier	1
PZB010	1.2m Inclusive net	1
PZB020	1.4m wide Arch top rails	2
PZB030	1.4m wide Seat	1
PZB035	1.4m Curved rail	1
PZB025	Four panel roof	1
PZB050	1.2m Steps	1
DZA015	Binocular rail	1
DZA340	Mini megaphone rail	1
PZA430	1.2m Rope climb	1
PZT270	Rope Climb Barrier	1
PZB070	Inclined drag ramp	1
PZB065	Level drag ramp	1
DZA300	Steel barrier	1
POSTS	50.93m	

Play Type Physical, social,  
imaginative, inclusive

**DO NOT SCALE FROM THIS DRAWING  
THIS DRAWING MUST NOT BE USED  
FOR INSTALLATION PURPOSES.**

This unit is suitable for grass installation without safety surfacing if it is sited in a low usage playground. However wear pads of impact absorbing surfacing may be required under areas that sustain intensive use e.g. under slide runouts, fireman's poles and access and exit points, taking care that no trip points or hard edges occur.