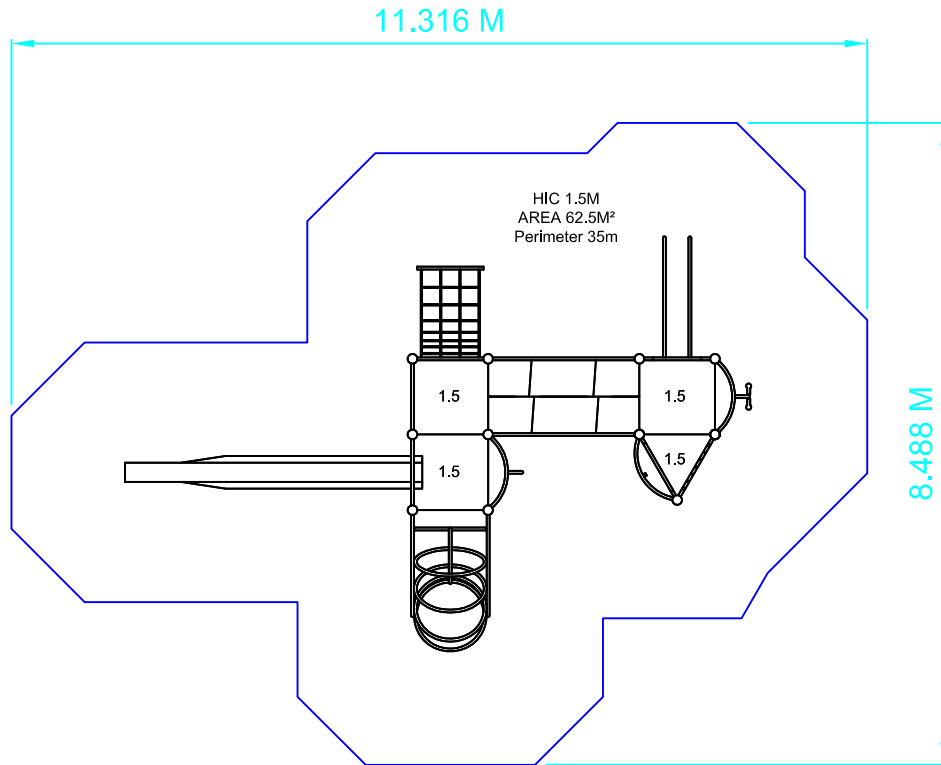


# Fireman's Tower Playzone Unit PZU683/PZW683

Dwn AMG Scale 1:100@A4 31.01.12

The experts  
in Play  
**SutcliffePlay**



## SAFETY SURFACING

AREA 62.5m<sup>2</sup>

PERIMETER 35m

HIC 1.5m 62.5m<sup>2</sup>

## UNIT INCLUDES

UNIT INCLUDES	QTY
DZD100 Square decks	3
DZD200 Triangular deck	1
PZA140 1.5m firemans pole	1
PZA520 1.5m pole climb	1
PZT650 1.5m hoop climber	1
PZS240 1.5m traditional slide	1
PZA050 Arch entrance	1
PZA080 High steel barrier	2
PZA440 1.5m rope climb	1
PZA190 2m rope bridge	1
PZA400 1.5m scramble net	1
PZT226 Arch top rail	3
PZT555 1.5m slide bars	1
POSTS 38.45m	

## PRODUCT SPECIFICS

Age

Range 4 - 10 years

Play Type Physical, challenging,  
locomotor

**DO NOT SCALE FROM THIS DRAWING  
THIS DRAWING MUST NOT BE USED  
FOR INSTALLATION PURPOSES.**

This unit is suitable for grass installation without safety surfacing if it is sited in a low usage playground. However wear pads of impact absorbing surfacing may be required under areas that sustain intensive use eg under slide runouts, fireman's poles and access and exit points, taking care that no trip points or hard edges occur.