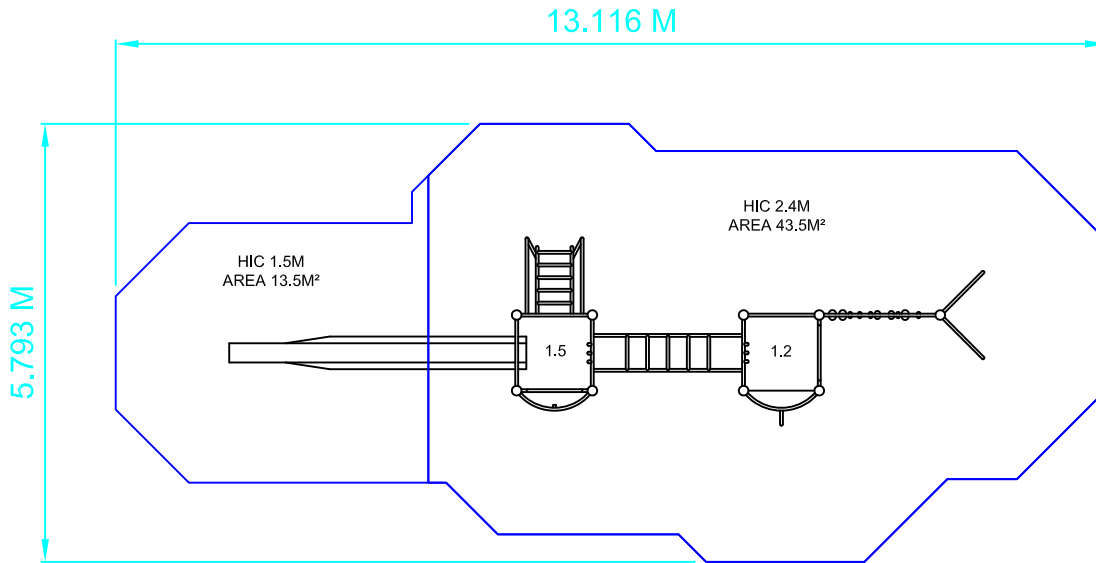


Long Climb Playzone Unit PZU617/PZW617

Dwn AG Scale 1:100@A4 30.01.12

Good design
for children
SutcliffePlay



SAFETY SURFACING

AREA 57m²

PERIMETER 33.5m

HIC 2.4m 43.5m²

HIC 1.5m 13.5m²

PRODUCT SPECIFICS

Age

Range 4 - 10 years

Play Type Physical, challenging,
locomotor

UNIT INCLUDES

		QTY
DZD100	Square decks	2
PZA170	1.5m steel ladder	1
PZA440	1.5m rope climb	1
PZT226	Arch top rail	1
PZA080	High steel barrier	1
PZA232	2m inclined hand over hand	1
PZS240	1.5m traditional slide	1
PZA050	Arch entrance	1
PZA130	1.2m firemans pole	1
PZT075	1.6m wide climbing wall	1
PZT709	Bracing legs	2
POSTS	31.8m	

**DO NOT SCALE FROM THIS DRAWING
THIS DRAWING MUST NOT BE USED
FOR INSTALLATION PURPOSES.**