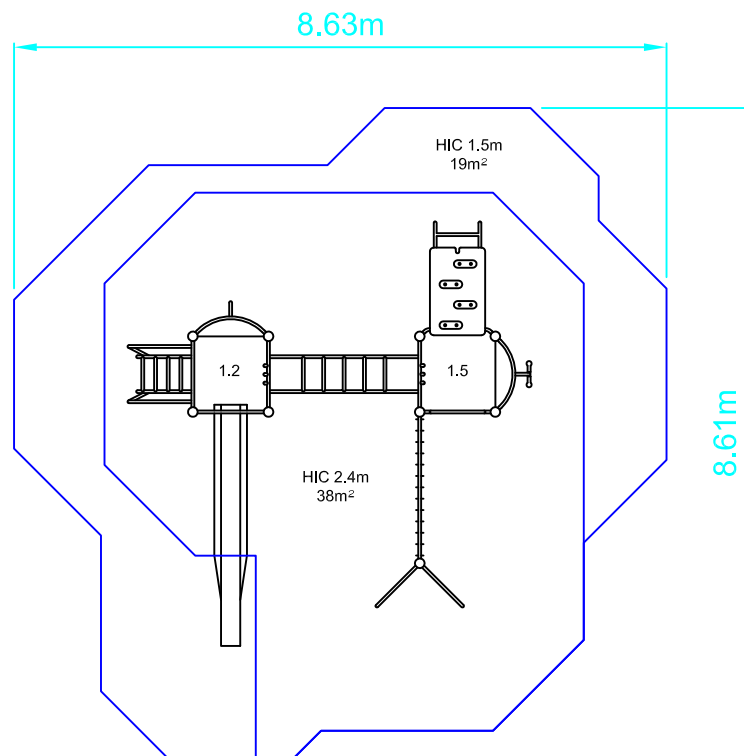


Two in One Playzone Unit PZU229/PZW229

Dwn AG Scale 1:100@A4 13.10.08

Good design
for children
SutcliffePlay



SAFETY SURFACING

AREA 57m²

PERIMETER 29m

HIC 2.4m 38m²

HIC 1.5m 19m²

UNIT INCLUDES

UNIT INCLUDES		QTY
DZD100	Square decks	2
PZS220	Traditional slide	1
PZA050	Arch entrance	1
PZA232	2m Inclined hand over hand	1
PZA130	1.2m Fireman's pole	1
PZA520	1.5m Pole climb	1
PZA610	1.5m Pull up ramp	1
PZT226	Arch top rail	1
PZA260	1.2m Steel ladder	1
PZT705	2.4m high Vertical net	1
PZT709	Bracing legs	2
POSTS	30.15m	

PRODUCT SPECIFICS

Age

Range 4 - 10 years

Play Type Physical, challenging,
locomotor

**DO NOT SCALE FROM THIS DRAWING
THIS DRAWING MUST NOT BE USED
FOR INSTALLATION PURPOSES.**