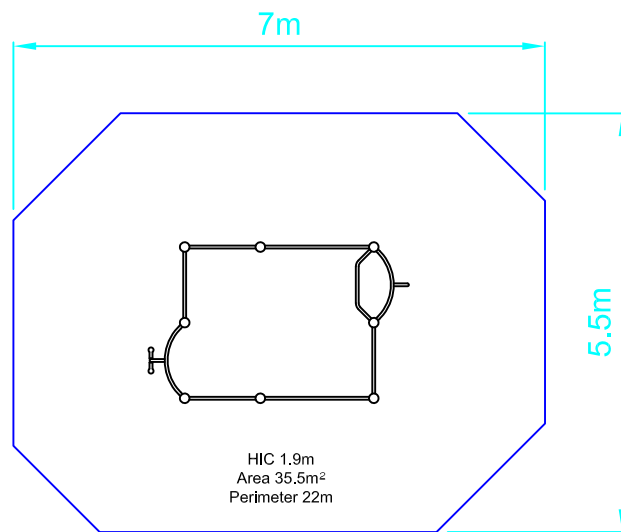


# Schools Climber PZU152/PZW152

Dwn AG Scale 1:100@A4 13.10.08

Good design  
for children  
**SutcliffePlay**



## SAFETY SURFACING

AREA 35.5m<sup>2</sup>

PERIMETER 22m

HIC 1.9m

## UNIT INCLUDES

		QTY
PZA214	1.5m Straight rail	2
PZA815	Angled rungs	3
DZA212	1m Straight rails	13
PZA490	Pole climb	1
PZA125	Fireman's pole	1
PZA900	Ladder/rope assembly	1
POSTS	21.2m	

## PRODUCT SPECIFICS

Age

Range 4 - 10 years

Play Type Physical, challenging,  
locomotor

**DO NOT SCALE FROM THIS DRAWING  
THIS DRAWING MUST NOT BE USED  
FOR INSTALLATION PURPOSES.**