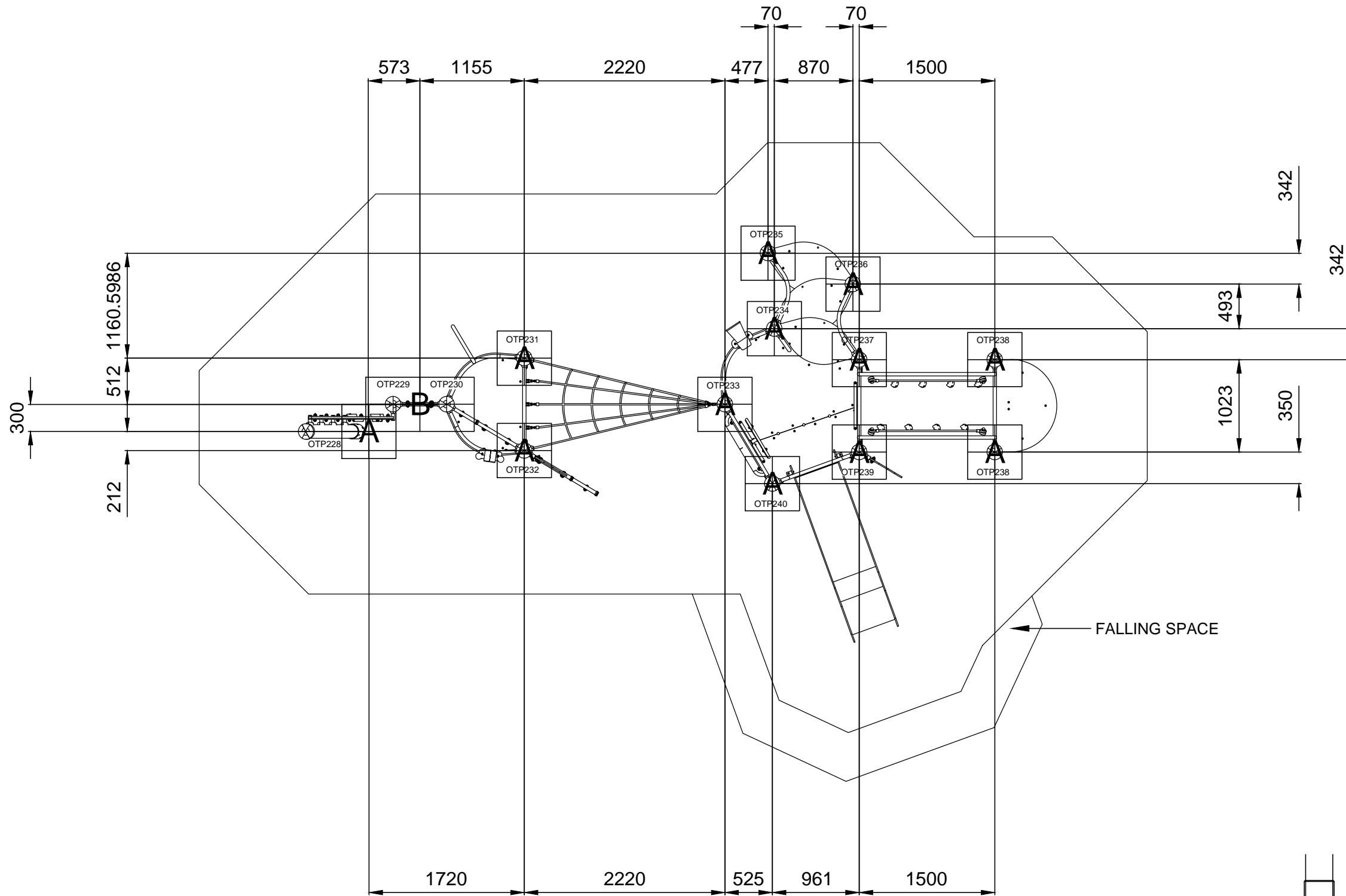


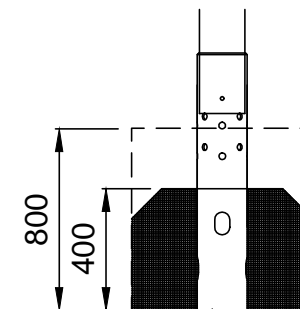
# FOUNDATION PLAN

design  
make  
play  
**SutcliffePlay**



POST POSITIONS DRAWN AT PLAY LEVEL

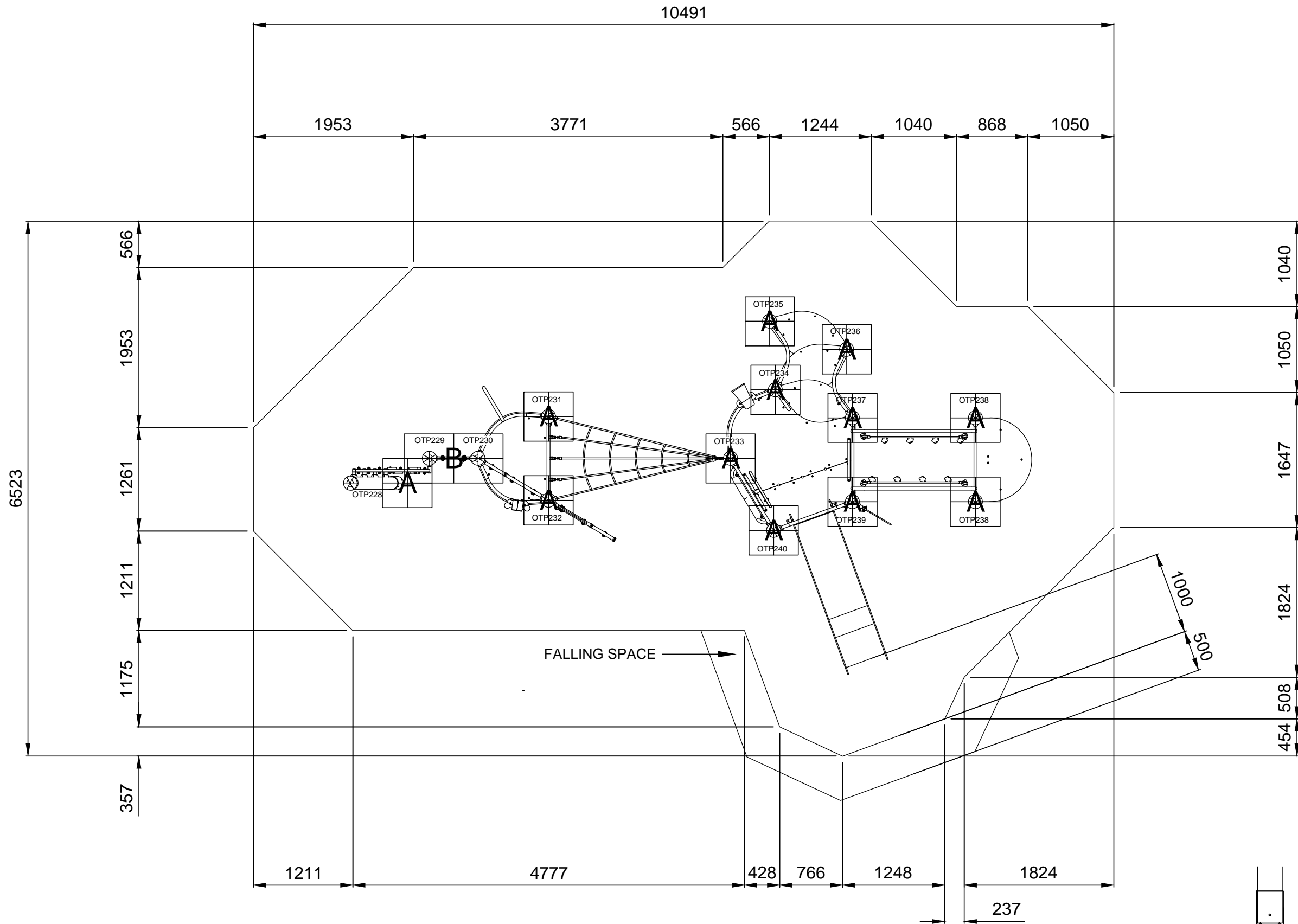
DO NOT SCALE THIS DRAWING  
SCALE 1:50 WHEN PRINTED ON A3



GROUND PLAN	<b>OTU215</b>
SHEET	1 OF 2
REV	01 (20.12.18)
DRAWN	SH
SCALE	1:50 @ A3
DATE	29/05/18
REQUIREMENTS TO EN1176 SAFETY SURFACING AREA 45.7m <sup>2</sup> PERIMETER 28.4m HIC 1.2m	
HOLE A 600x600x800 DEEP	
HOLE B 600x1200x800 DEEP	

# SURFACING PLAN

design  
make  
play  
**SutcliffePlay**



POST POSITIONS DRAWN AT PLAY LEVEL

DO NOT SCALE THIS DRAWING  
SCALE 1:50 WHEN PRINTED ON A3

GROUND PLAN	<b>OTU215</b>
SHEET	2 OF 2
REV	01 (20.12.18)
DRAWN	SH
SCALE	1:50 @ A3
DATE	29/05/18

REQUIREMENTS TO EN1176  
SAFETY SURFACING  
AREA 45.7m<sup>2</sup>  
PERIMETER 28.4m  
HIC 1.2m

HOLE A 600x600x800 DEEP  
HOLE B 600x1200x800 DEEP

