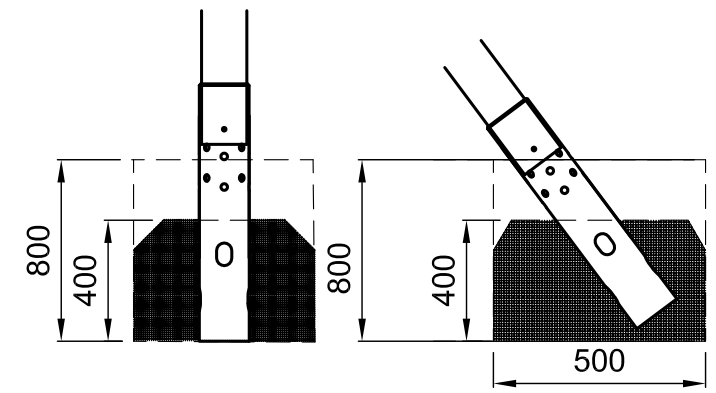
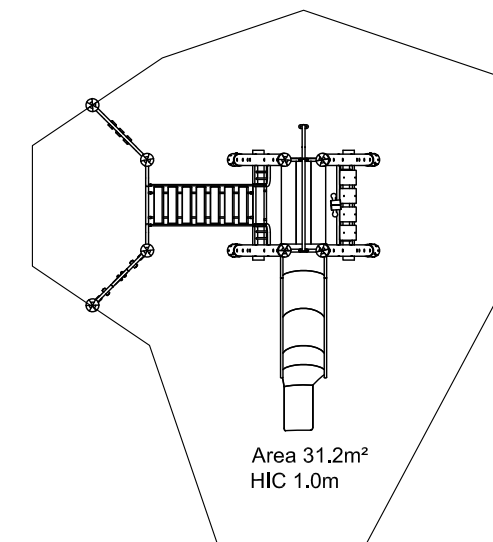
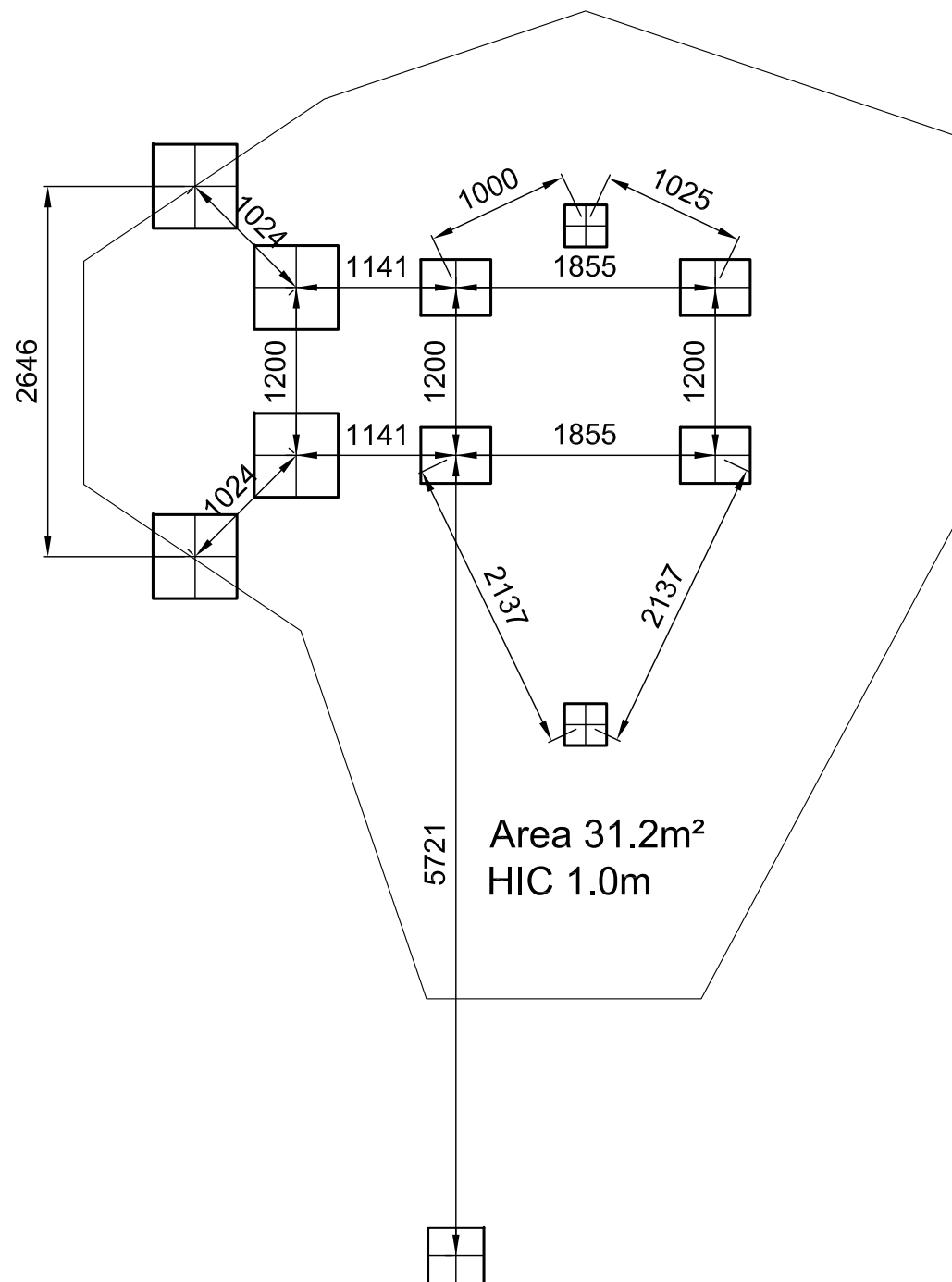


PLAN SCALE 1:100

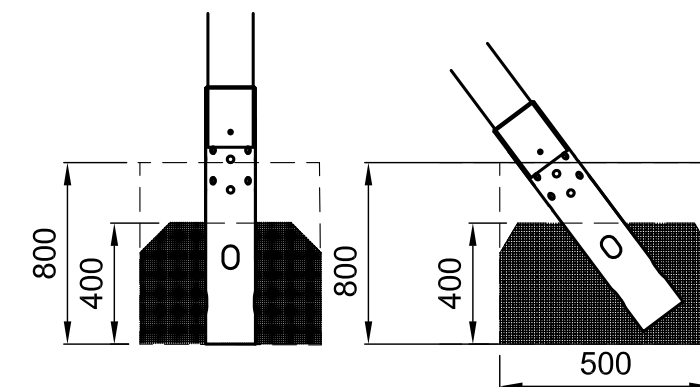


REQUIREMENTS TO EN 1176  
SAFETY SURFACING  
AREA 31.2m²  
PERIMETER 21.5m  
  
HIC 1.0m 31.2m²

GROUND PLAN	<b>OTU104</b>
REV	00
DRAWN	CB
SCALE	1:50 @ A3
DATE	25.11.13
SAFETY SURFACE AREA	
HOLE A	300 x 300 x 600 DEEP
HOLE B	500 x 400 x 800 DEEP
HOLE C	600 x 600 x 800 DEEP



PLAN SCALE 1:100



REQUIREMENTS TO EN 1176  
SAFETY SURFACING  
AREA 31.2m<sup>2</sup>  
PERIMETER 21.5m

HIC 1.0m 31.2m<sup>2</sup>

GROUND PLAN	<b>OTU104</b>
REV	00
DRAWN	CB
SCALE	1:50 @ A3
DATE	25.11.13
SAFETY SURFACE AREA	
HOLE A 300 x 300 x 600 DEEP	
HOLE B 500 x 400 x 800 DEEP	
HOLE C 600 x 600 x 800 DEEP	

DO NOT SCALE THIS DRAWING  
SCALE 1:50 WHEN PRINTED ON A3