

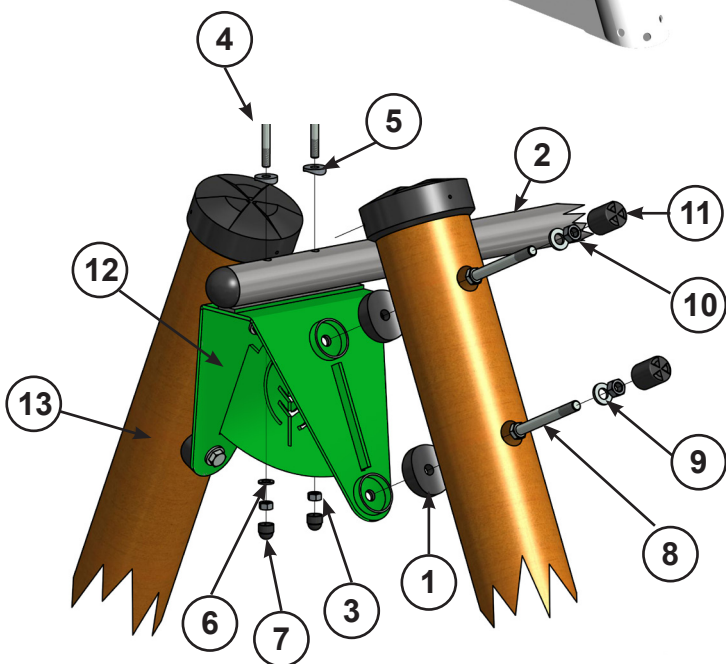
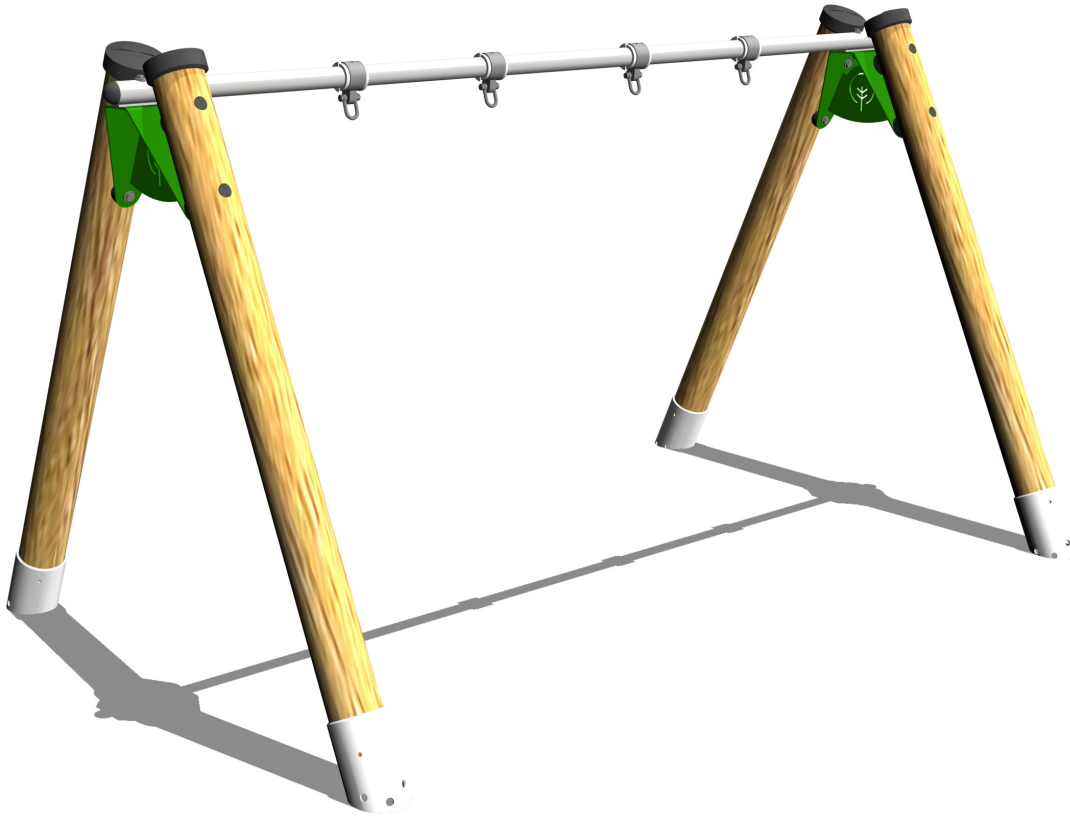
# Installation instructions

6Ft Swing Frame 2 Seat OSS062

Sheet 1 of 3 Rev 00

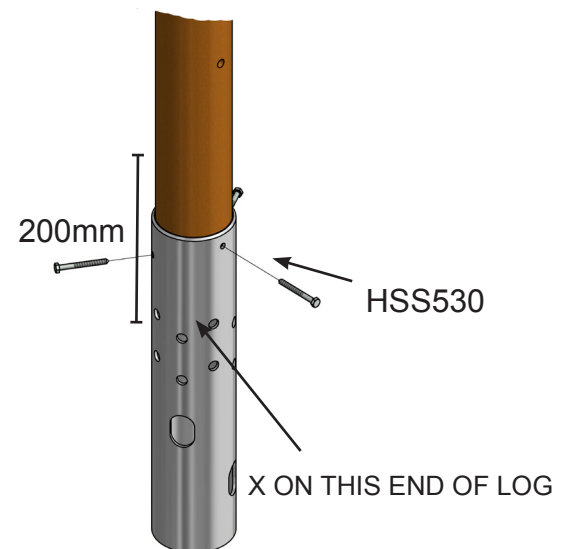
design  
make  
play

**SutcliffePlay**



## Details for fixing log legs to the topbar

For ease of assembly join two logs to the bracket to create an A-frame and then stand in the ground holes.



## Details for Ground Shoe

Insert the logs into the ground fixings 200mm only. The bottom of the log should line up with the top airation holes. Attach the ground fixings before placing logs into ground holes.

# Installation instructions

6Ft Swing Frame 2 Seat OSS062

Sheet 2 of 3 Rev 00

## Installation procedure

1. Plan the final position of the play equipment ensuring that there is sufficient space\*.
2. Excavate the foundation hole in accordance with the plan\*\*.
3. Assemble the swing frame on the ground. Ensure the fixing bolts are tightened securely.
4. Carefully lift the frame into the foundation holes ensuring it is not twisted. It is important that the top tube is horizontal, use a spirit level to check this.
5. The height from the centre of the top bar to the play level is 1.8M.
6. When the frame is positioned correctly in the foundation holes, fill with concrete. Ensure that the concrete foundations slope away slightly from each leg to prevent water collecting.
7. Do not allow the equipment to be used until the concrete has set (2-3 days) and the required safety surfacing has been installed.
8. Check all the fixing bolts are tightened and hang the required swing seats to the frame.
9. Follow the Maintenance Instructions provided.

\* Care should be taken during installation to decrease the hazard to children.

\*\* Care should be taken if the conditions aren't normal.

## Parts supplied

| <u>No.</u> | <u>QTY.</u> | <u>CODE</u> | <u>DESCRIPTION</u>      |
|------------|-------------|-------------|-------------------------|
| 1.         | 8           | ORS001      | Rubber Spacer           |
| 2.         | 1           | OSW082      | Top Bar                 |
| 3.         | 4           | LKN330      | M12 Nyloc Nut           |
| 4.         | 4           | HHB638      | M12 x 100 Hex Head Bolt |
| 5.         | 4           | WSR436      | Swing Saddle Washer     |
| 6.         | 4           | WSR050      | M12 Plain Washer        |
| 7.         | 4           | FIX205      | M12 Nut Cover           |
| 8.         | 8           | HHB735      | M16 x 150 Hex Head Bolt |
| 9.         | 16          | WSR034      | M16 Plain Washer        |
| 10.        | 8           | LKN340      | M16 Nyloc Nut           |
| 11.        | 8           | ORS002      | Rubber Plugs            |
| 12.        | 2           | ORS010      | Orchard Swing Bracket   |
| 13.        | 4           | OSW001      | 1.8M Log Leg            |

## Required tools for installation

Tape measure

Spirit level

Step Ladder

Digging equipment

13mm Ring Spanner or Socket

19mm Ring Spanner or Socket

2x Long 24mm Ring Spanner or Socket

design  
make  
play

**SutcliffePlay**

Waggon Lane  
Upton Pontefract  
West Yorkshire WF9 1JS  
Telephone +44 (0) 1977 653200  
Facsimile +44 (0) 1977 653222  
info@sutcliffeplay.co.uk  
www.sutcliffeplay.co.uk

# Maintenance instructions

6Ft Swing Frame 2 Seat OSS062

Sheet 3 of 3 Rev 00

design  
make  
play  
**SutcliffePlay**

## NOTE

The warranty is invalidated if these instructions are not followed.

## Recommended regular inspection and maintenance

|   | Interval days            |                                     |                          |                                     |                          |
|---|--------------------------|-------------------------------------|--------------------------|-------------------------------------|--------------------------|
|   | 7                        | 14                                  | 28                       | 56                                  | 365                      |
| Check stability of structure, tighten connections if required.                                  | <input type="checkbox"/> | <input type="checkbox"/>            | <input type="checkbox"/> | <input checked="" type="checkbox"/> | <input type="checkbox"/> |
| Check parts at ground level for corrosion and/or rot.<br>Replace any defective parts            | <input type="checkbox"/> | <input type="checkbox"/>            | <input type="checkbox"/> | <input checked="" type="checkbox"/> | <input type="checkbox"/> |
| Check all painted elements for damage, rub down and repaint<br>or replace as required.          | <input type="checkbox"/> | <input type="checkbox"/>            | <input type="checkbox"/> | <input checked="" type="checkbox"/> | <input type="checkbox"/> |
| Check all ropework assemblies for wear and damage, replace if<br>required.                      | <input type="checkbox"/> | <input checked="" type="checkbox"/> | <input type="checkbox"/> | <input type="checkbox"/>            | <input type="checkbox"/> |
| Check rotating pivot points for wear and smooth running<br>lubricate or replace if required.    | <input type="checkbox"/> | <input checked="" type="checkbox"/> | <input type="checkbox"/> | <input type="checkbox"/>            | <input type="checkbox"/> |
| Check rubber parts for wear and/or damage, replace if required.                                 | <input type="checkbox"/> | <input checked="" type="checkbox"/> | <input type="checkbox"/> | <input type="checkbox"/>            | <input type="checkbox"/> |
| Check rubber safety surfaces for damage and poor performance,<br>repair or replace if required. | <input type="checkbox"/> | <input type="checkbox"/>            | <input type="checkbox"/> | <input checked="" type="checkbox"/> | <input type="checkbox"/> |
| Check loose fill safety surfaces remove any foreign elements,<br>repair or replace if required. | <input type="checkbox"/> | <input checked="" type="checkbox"/> | <input type="checkbox"/> | <input type="checkbox"/>            | <input type="checkbox"/> |

## Disposal Instructions

All components should be broken down into categories of:-

1. **Mild Steel** - all swing frames, Playzone, Toddlerzone and Teenzone activities, deck frames and springie frames.
2. **Stainless Steel** - all slides, mirror panels.
3. **Aluminium** - all Playzone and Toddlerzone posts.
4. **Galvanised steel** - all chains and Teenzone posts.
5. **Moulded rubber products without steel inserts** - all Toddlerzone and Playzone caps and panel edging.
6. **Timber** - all natural timber, plywood and mdf panels.

Wherever possible these materials should be taken to a specialist recycling organisations and recycled. In some cases where composite materials are used then disposal at land fill sites is the only alternative such as:-

7. **Moulded rubber product with steel inserts** - all seats, deck tops, duo/dizzy disc tops.
8. **High pressure laminate** - all Toddlerzone and Playzone panels.
9. **Steel core polypropylene rope** - all scramble nets, space nets, Playzone and Toddlerzone ropes and rope bridges.