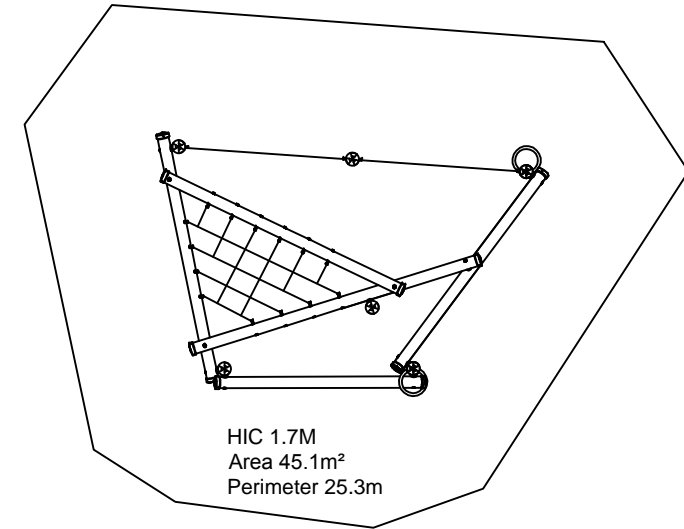
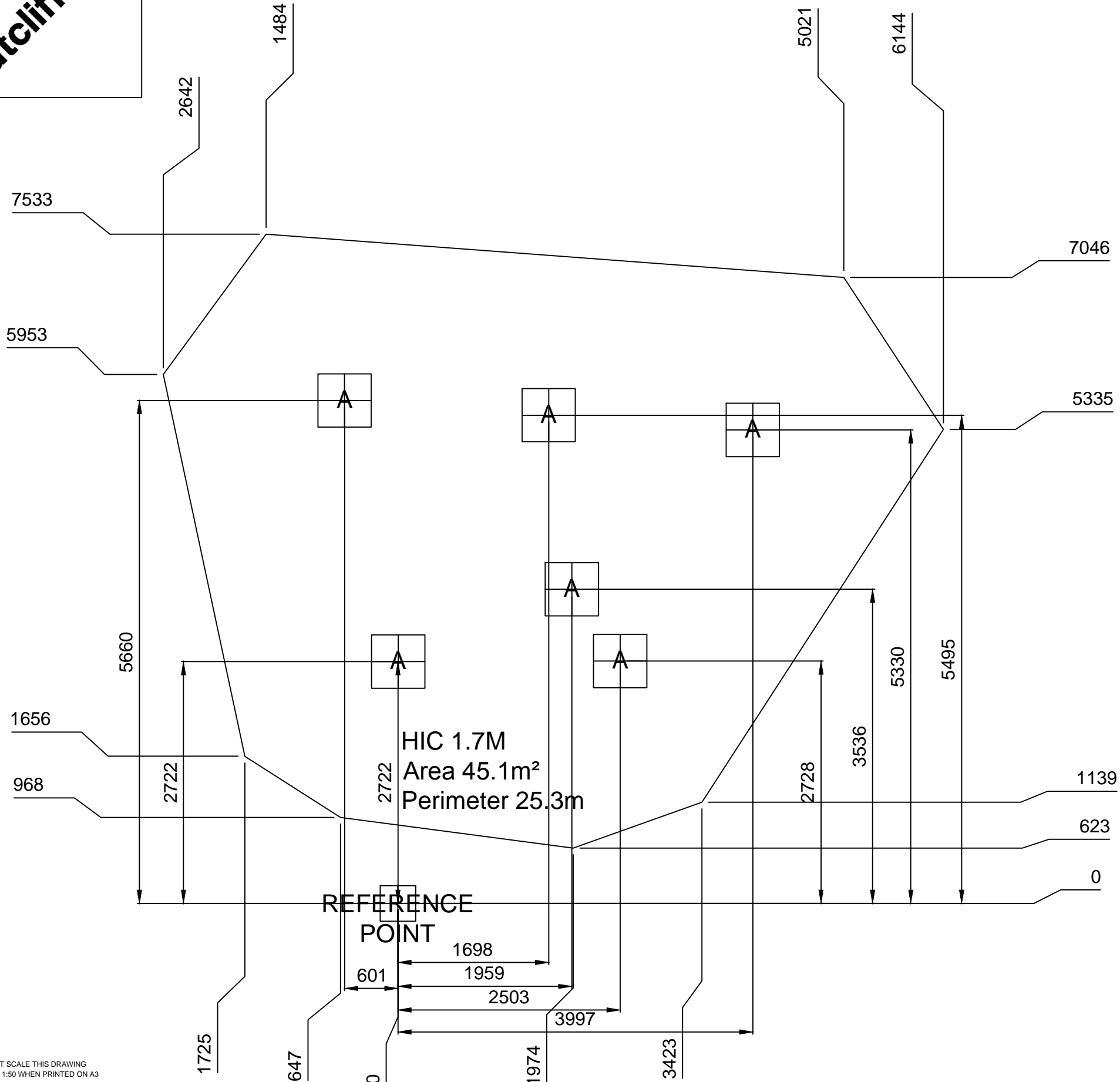
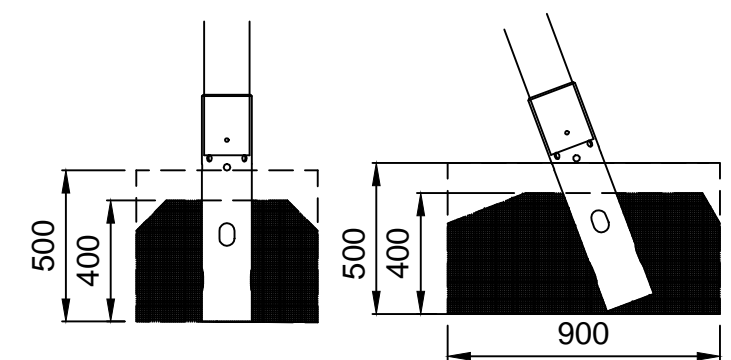


Good design  
for children  
**SutcliffePlay**



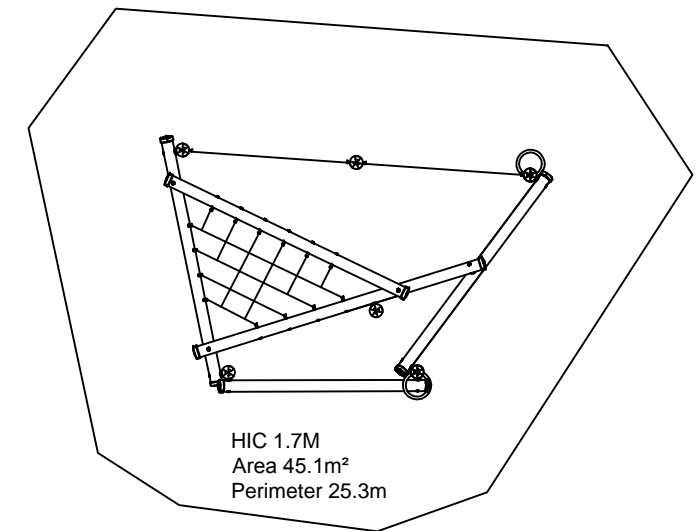
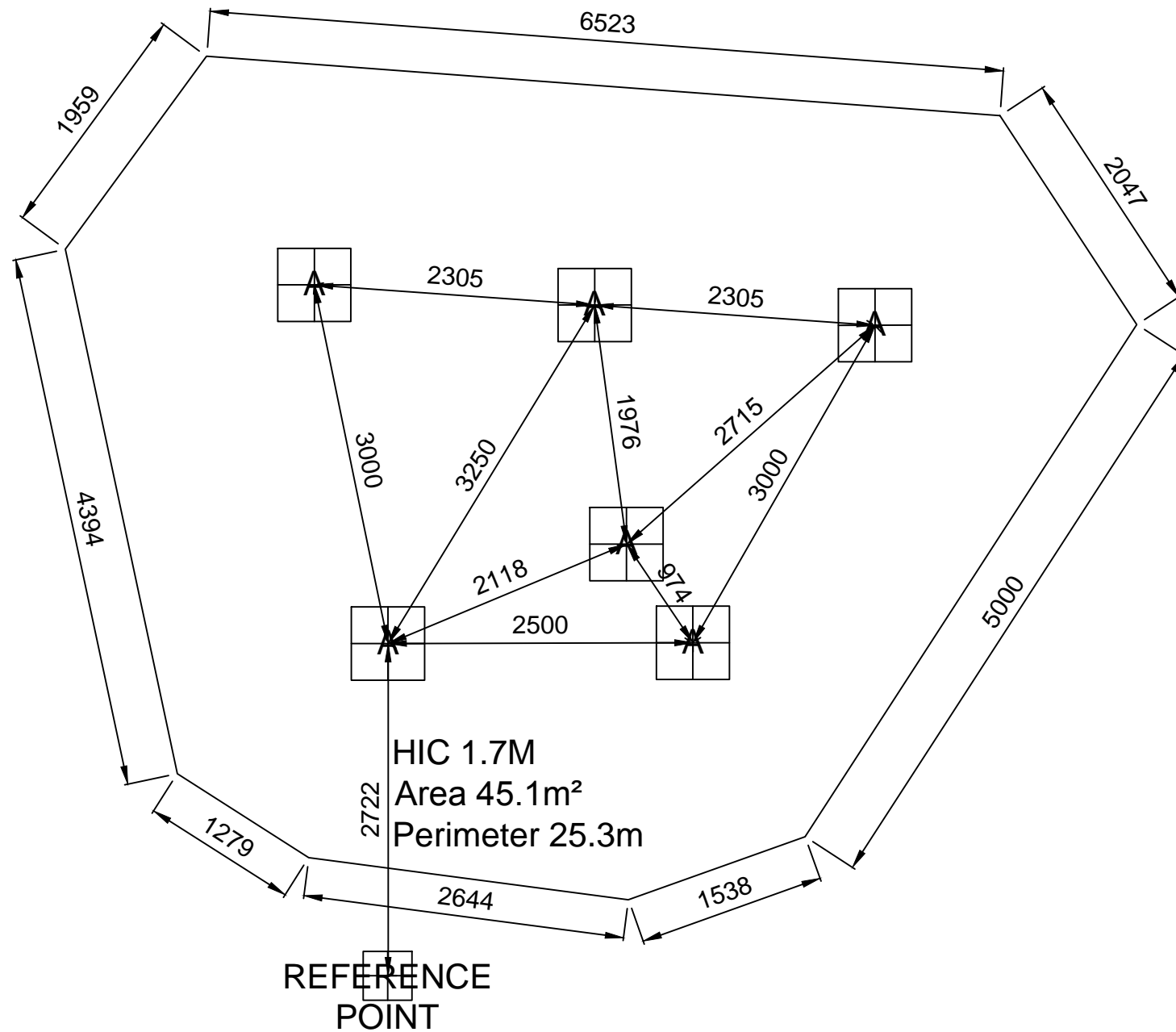
PLAN SCALE 1:100



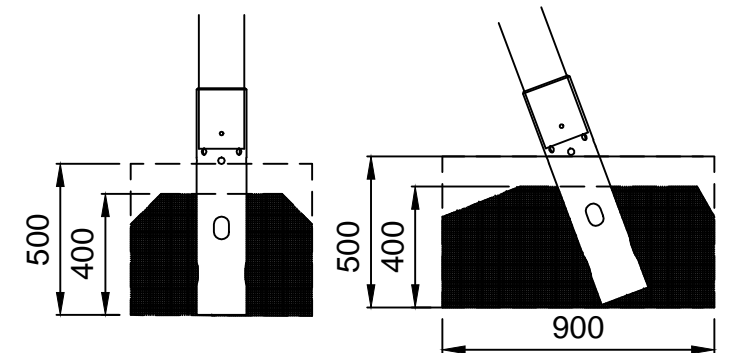
SAFETY SURFACING  
REQUIREMENTS TO EN 1176  
AREA 45.1m<sup>2</sup>  
PERIMETER 25.3m  
  
HIC 1.7m 45.1m<sup>2</sup>

GROUND PLAN	<b>ORW700</b>
REV	00
DRAWN	CB
SCALE	1:50 @ A3
DATE	17.01.13
SAFETY SURFACE AREA	
HOLE A	600 x 600 x 500 DEEP
HOLE B	900 x 600 x 500 DEEP

DO NOT SCALE THIS DRAWING  
SCALE 1:50 WHEN PRINTED ON A3



PLAN SCALE 1:100



SAFETY SURFACING  
REQUIREMENTS TO EN 1176  
AREA 45.1m<sup>2</sup>  
PERIMETER 25.3m

HIC 1.7m 45.1m<sup>2</sup>

GROUND PLAN	<b>ORW700</b>
REV	00
DRAWN	CB
SCALE	1:50 @ A3
DATE	17.01.13
SAFETY SURFACE AREA	
HOLE A	600 x 600 x 500 DEEP
HOLE B	900 x 600 x 500 DEEP

DO NOT SCALE THIS DRAWING  
SCALE 1:50 WHEN PRINTED ON A3