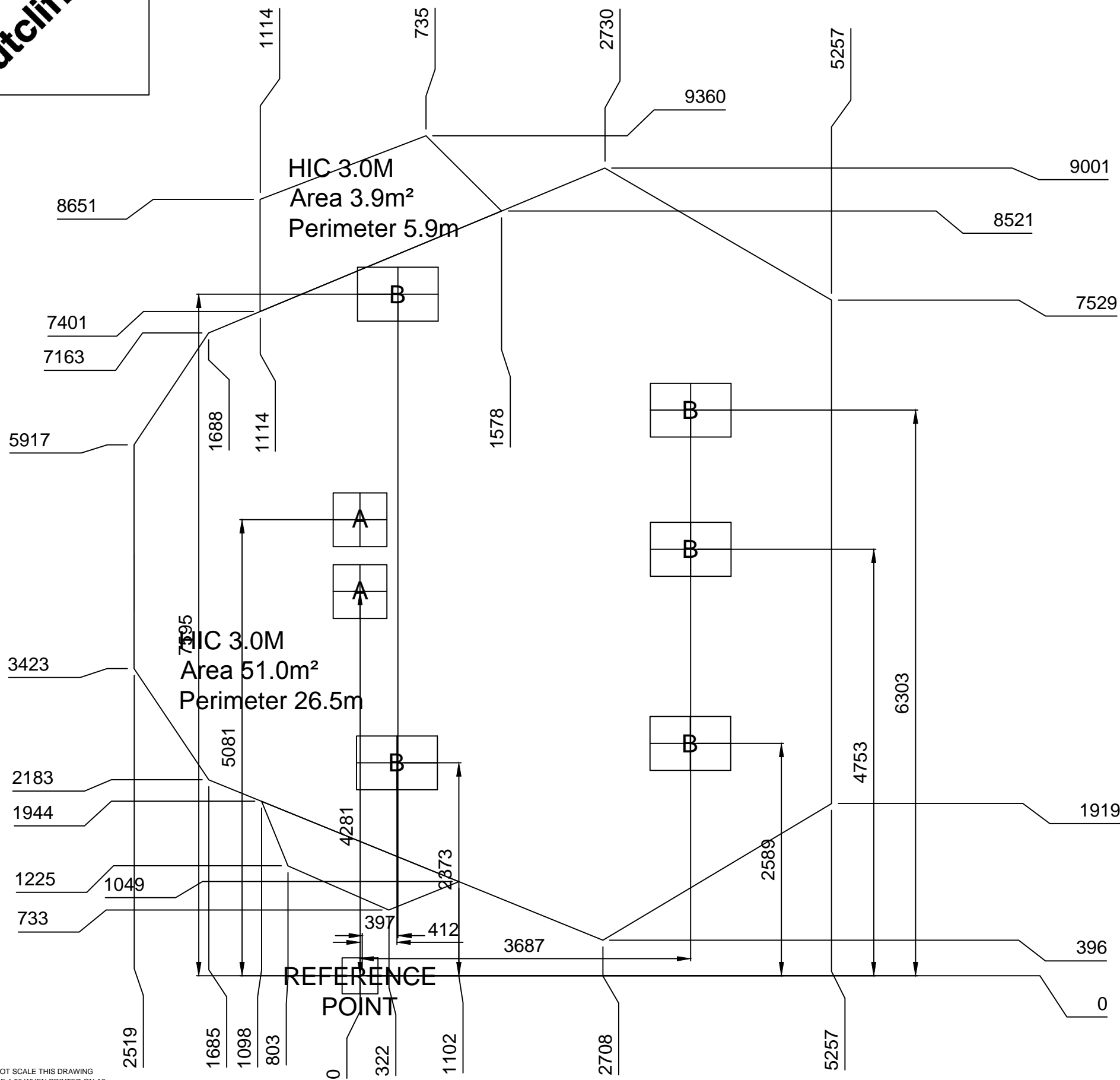
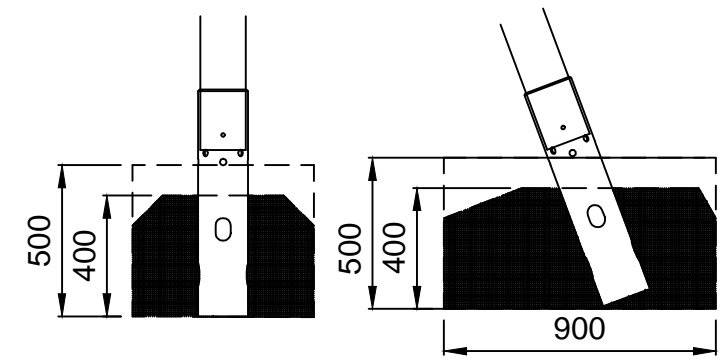


Good design
for children
SutcliffePlay



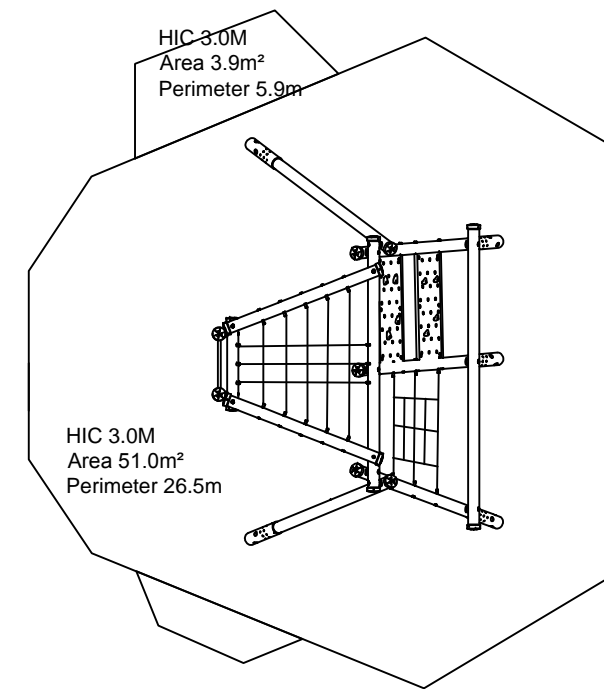
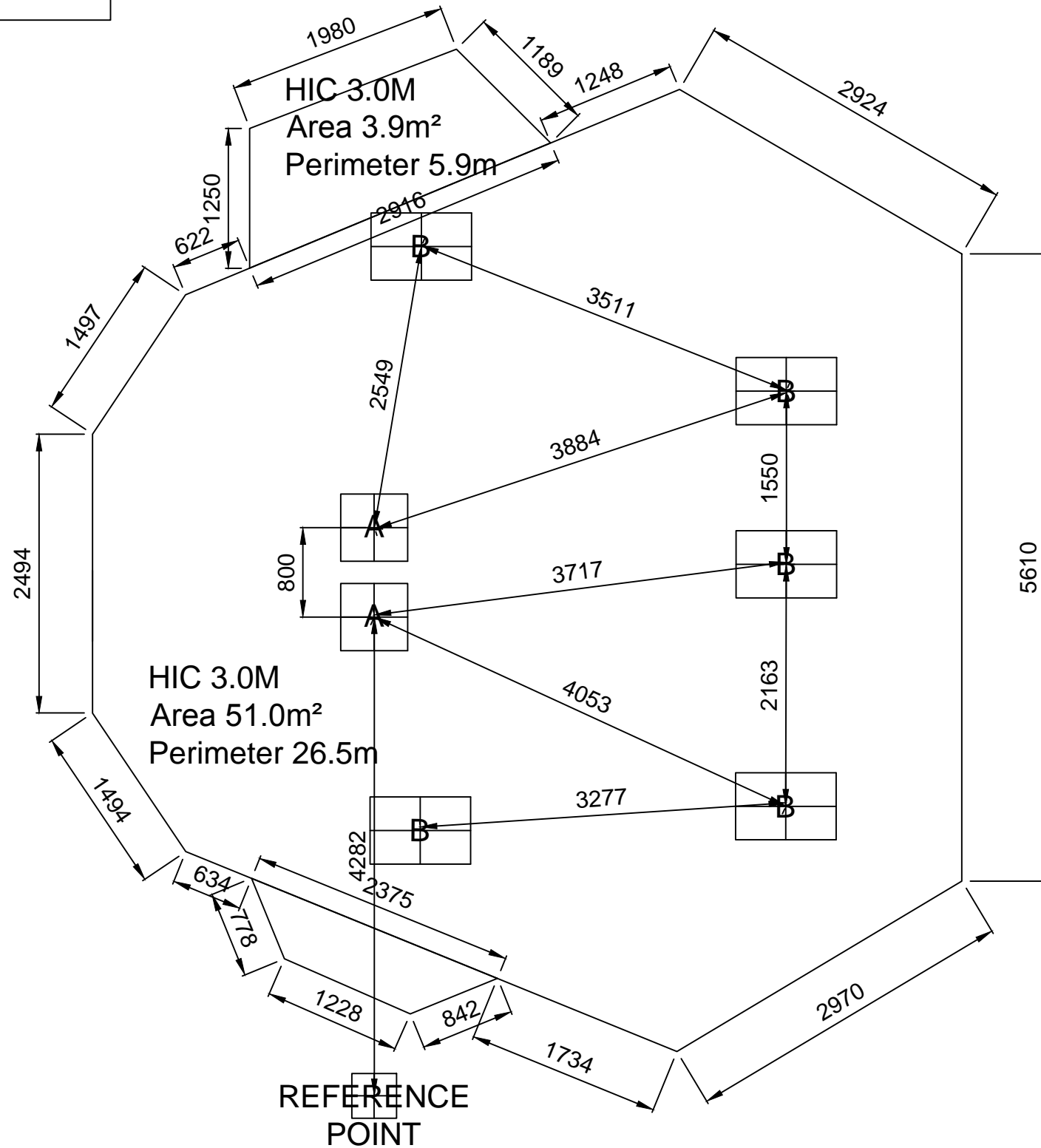
PLAN SCALE 1:100



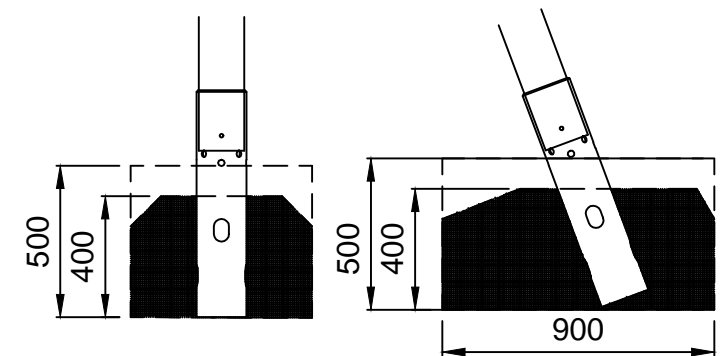
SAFETY SURFACING
REQUIREMENTS TO EN 1176
AREA 54.9m²
PERIMETER 32.4m

HIC 1.5m 3.9m²
HIC 3.0m 51.0m²

GROUND PLAN	ORW200
REV	00
DRAWN	CB
SCALE	1:50 @ A3
DATE	17.01.13
SAFETY SURFACE AREA	
HOLE A	600 x 600 x 500 DEEP
HOLE B	900 x 600 x 500 DEEP



PLAN SCALE 1:100



SAFETY SURFACING
REQUIREMENTS TO EN 1176
AREA 54.9m²
PERIMETER 32.4m

HIC 1.5m 3.9m²
HIC 3.0m 51.0m²

GROUND PLAN	ORW200
REV	00
DRAWN	CB
SCALE	1:50 @ A3
DATE	17.01.13
SAFETY SURFACE AREA	
HOLE A	600 x 600 x 500 DEEP
HOLE B	900 x 600 x 500 DEEP

DO NOT SCALE THIS DRAWING
SCALE 1:50 WHEN PRINTED ON A3