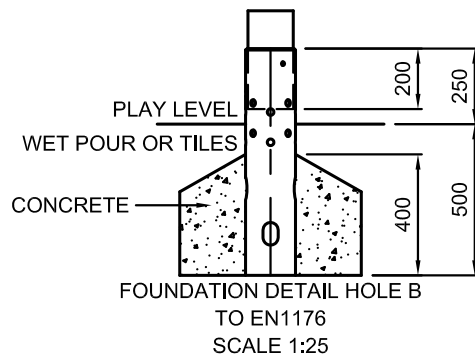
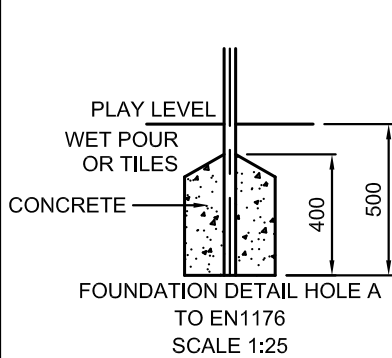
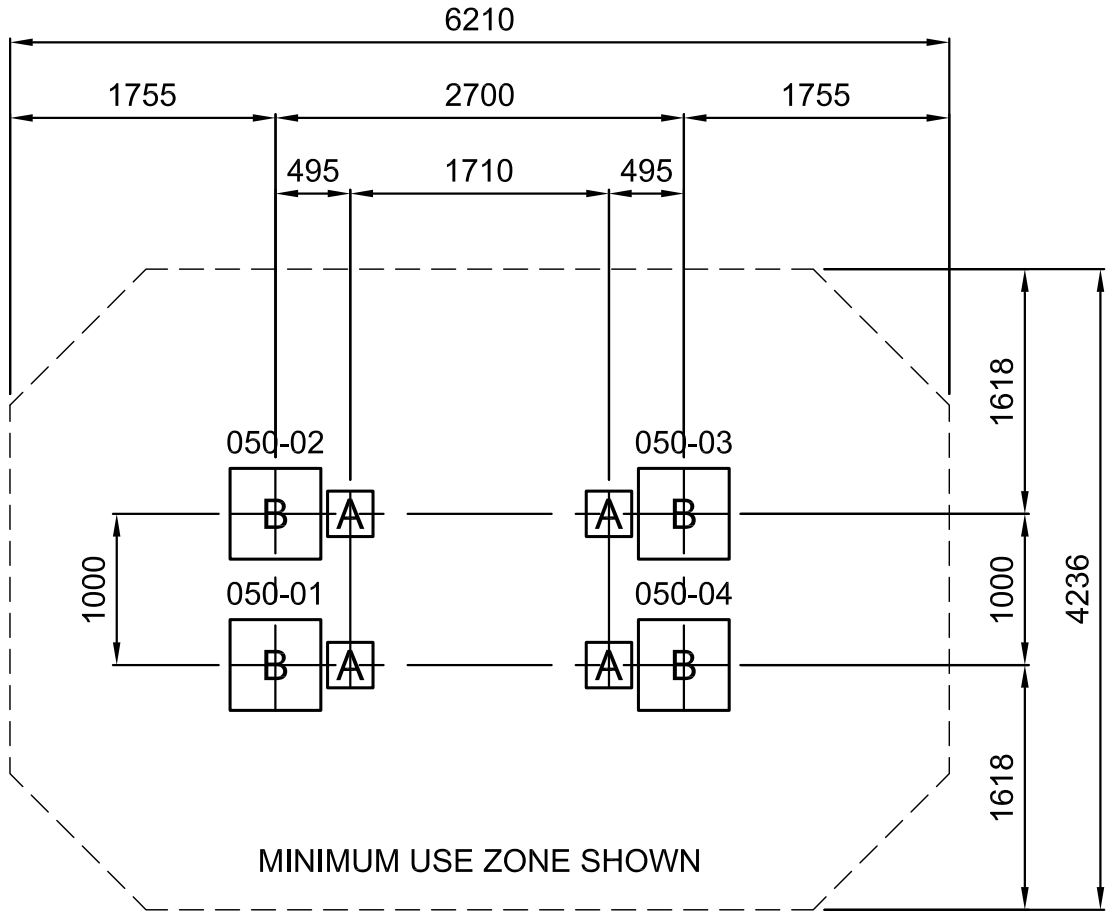
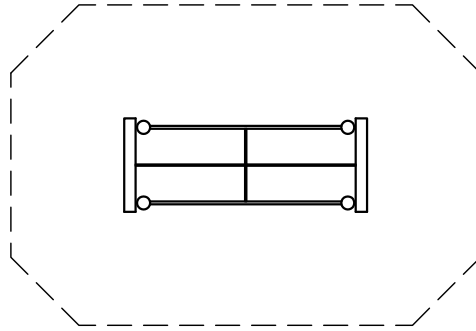


PLAN SCALE 1:100



DO NOT SCALE THIS DRAWING
SCALE 1:50 WHEN PRINTED ON A4

GROUND PLAN	ORW050
REV	01
DRAWN	AMG
SCALE	1:50 @ A4
DATE	10.06.13
SAFETY SURFACE AREA	NON REQUIRED
HOLE A 300x300x500 DEEP	
HOLE B 600x600x500 DEEP	