

design
make
play

SutcliffePlay

Waggon Lane
Upton Pontefract
West Yorkshire WF9 1JS
Telephone +44 (0) 1977 653200
Facsimile +44 (0) 1977 653222
info@sutcliffeplay.co.uk
www.sutcliffeplay.co.uk

Orchard Monkey Bars

Installation Instructions

ORU060/ORW060

ORU060/ORW060

Monkey Bars Installation Instructions

design
make
play
SutcliffePlay

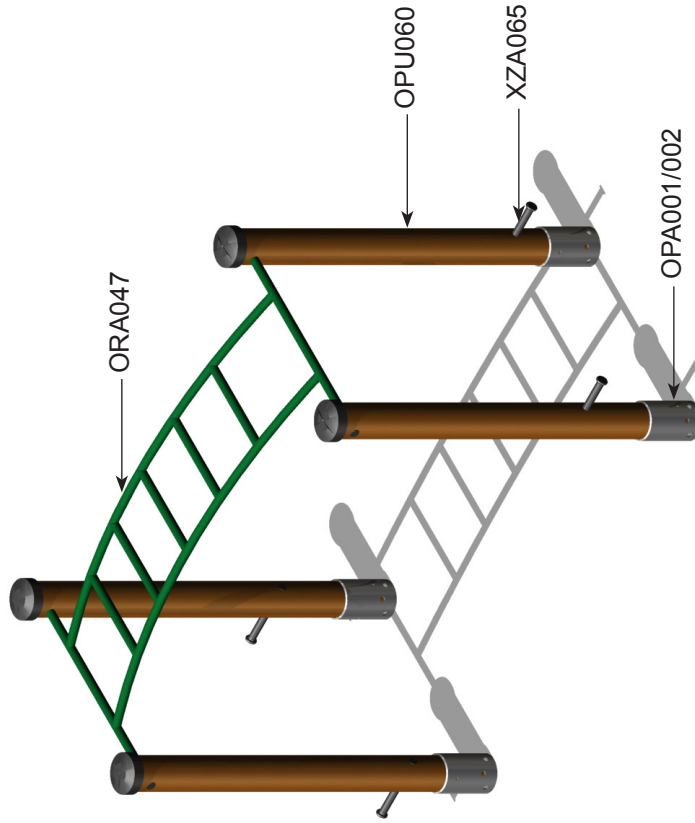
- 1 Read all instructions carefully before starting the assembly.
- 2 Check using the parts list and fixing kit list that none of the components are missing. If any parts are missing contact our Sales Office.
- 3 Plan the final position of the play equipment ensuring there is sufficient space. See the ground plan for recommended safety surfacing area and critical fall heights to EN1176.
- 4 Excavate the foundation holes in accordance with the plan. Orchard is designed to be installed onto a level site.
- 5 Fit the ground fixings OPA001/OPA002 to the bottom of the relevant logs, following the instruction sheet on page 04.
- 6 Erect the main logs into the foundation holes using the ground plan for reference. Each log is numbered at the top, and marked at the base with an X.
- 7 Assemble the activities to the logs prior to concreting into position.
- 8 When all the activities are fitted, fill the foundation holes to the required depth with concrete.
- 9 Do not allow the equipment to be used until the concrete has set (2 - 3 days) and the required safety surfacing has been installed.
- 10 Check that all fixing bolts are fully tightened. Fit the post caps following the instruction sheet on page 04.
- 11 After one month check all bolts and tighten if necessary. After this one month period insert the rubber log plugs as described on the instruction sheets page 05 and 06.
- 12 Follow the maintenance instructions supplied.

During installation care must be taken to prevent hazards to children.
Care should be taken if conditions are abnormal.

ORU060/ORW060

Monkey Bars Parts List

Rev 00



design
make
play

Sutcliffe Play

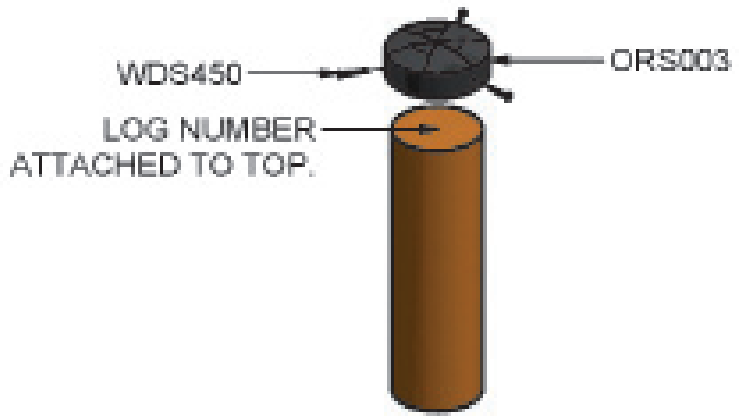
Ref	Description	Qty
OPA001/002	Ground Fixing	4
ORA047	Monkey Bar	1
XZA065	Hand Hold Moulding	4
OPU060	Logs (set of 4)	1 Set
ORU060F	Fixing Kit	1 Set

ORU060/ORW060

POST CAPS

FIT RUBBER CAPS TO THE END OF THE LOGS AND FIX IN POSITION USING 3 OFF WDS450 PER JOINT.

NOTE THE RUBBER CAPS ARE A TIGHT FIT ON THE LOGS.

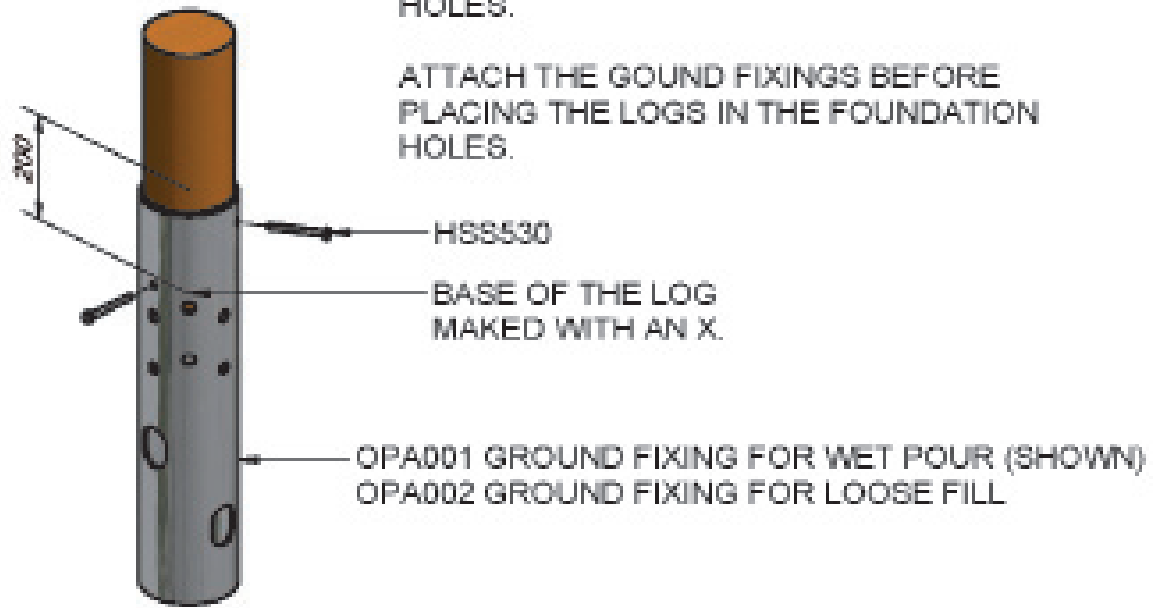


PARTS PER JOINT		
STOCK CODE	DESCRIPTION	QTY
ORS003	RUBBER POST CAP	1
WDS450	12 x 2" CSK POZI SCREW	3

GROUND FIXINGS

IMPORTANT NOTE
INSERT THE LOGS INTO THE GROUND FIXINGS 200MM ONLY. THE BOTTOM OF THE LOG SHOULD LINE UP WITH THE TOP VENTILATION HOLES.

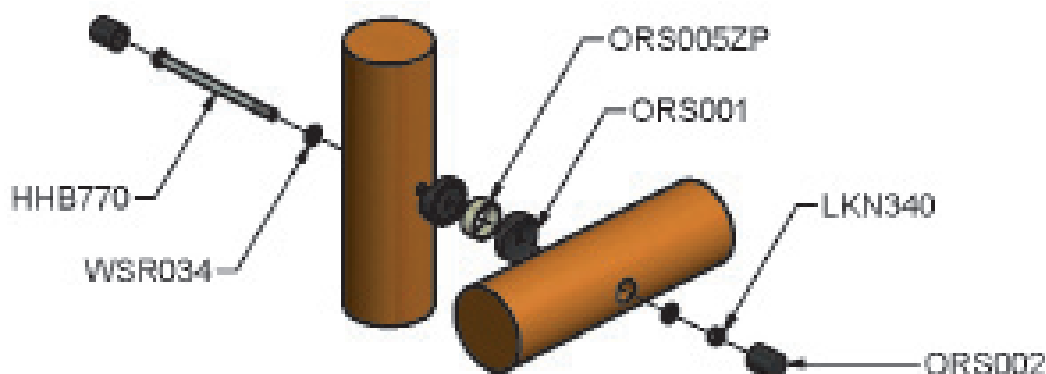
ATTACH THE GROUND FIXINGS BEFORE PLACING THE LOGS IN THE FOUNDATION HOLES.



PARTS PER GROUND FIXING		
STOCK CODE	DESCRIPTION	QTY
HSS530	M10 x 100 COACH SCREW BZP	3
OPA001/002	ALLOY GROUND FIXING ANODISED	1

ORU060/ORW060

LOG JOINTS

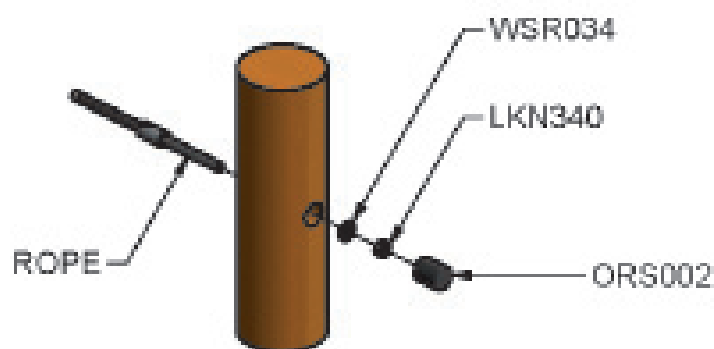


IMPORTANT NOTE
TWIST THE RUBBER SPACERS
SO THAT THEY ARE FLUSH
AGAINST THE LOGS.

PARTS PER LOG JOINT

STOCK CODE	DESCRIPTION	QTY
HHB770	M16 x 260 HEX HEAD BOLT	1
LKN340	M16 NYLOC NUT	1
ORS001	TIMBER RUBBER SPACER	2
ORS002	35 DIA RUBBER LOG PLUG	2
ORS005ZP	METAL SPACER RING ZINC PLATED	1
WSR034	M16 FLAT WASHER FORM C	2

ROPE FIXINGS

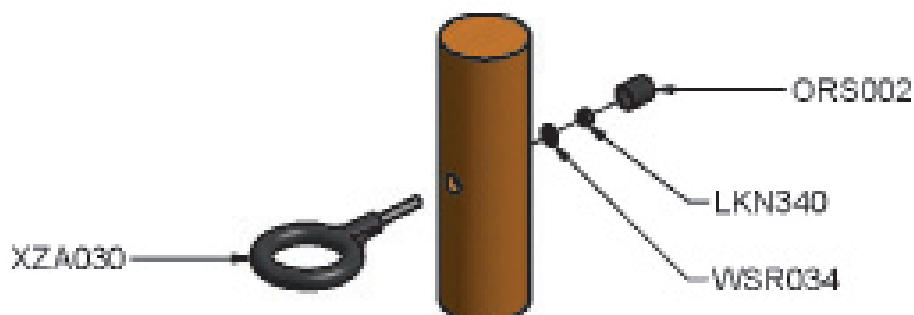


PARTS PER ROPE JOINT

STOCK CODE	DESCRIPTION	QTY
LKN340	M16 NYLOC NUT	1
ORS002	35 DIA RUBBER LOG PLUG	1
WSR034	M16 FLAT WASHER FORM C	1

ORU060/ORW060

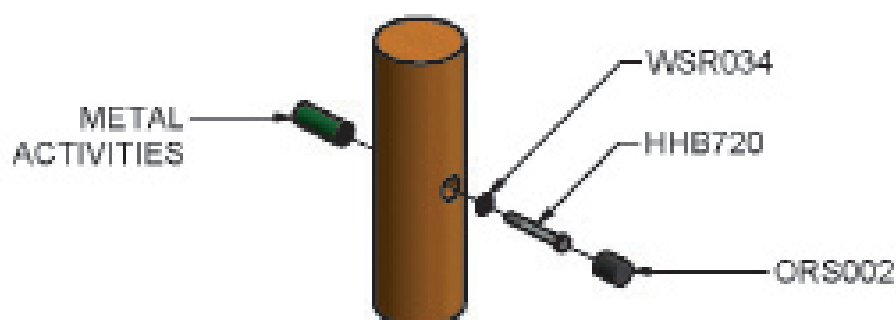
HAND RING FIXING



PARTS PER HAND RING

STOCK CODE	DESCRIPTION	QTY
LKN340	M16 NYLOC NUT	1
ORS002	35 DIA RUBBER LOG PLUG	1
WSR034	M16 FLAT WASHER FORM C	1
XZA030	HAND RING MOULDING	1

ACTIVITY FIXING



PARTS PER FIXING

STOCK CODE	DESCRIPTION	QTY
HHB720	M16 x 120 HEX HEAD BOLT	1
ORS002	35 DIA RUBBER LOG PLUG	1
WSR034	M16 FLAT WASHER FORM C	1

ORU060F Fixing Kit

STOCK CODE	DESCRIPTION	QTY
 HHB720	M16 x 120 HEX HEAD BOLT	6
 HHB770	M16 x 260 HEX HEAD BOLT	0
 HSS530	M10 x 80 COACH SCREW	15
 LKN340	M16 NYLOC NUT	6
 ORS001	TIMBER RUBBER SPACER	0
 ORS002	41 DIA RUBBER LOG PLUG	10
 ORS003	ORCHARD RUBBER POST CAP	4
 ORS005ZP	SPACER RING ZINC PLATED	0
 WDS450	No12 x 2" CSK POZI SCREW	15
 WSR034	M16 FLAT WASHER	10

ORU060/ORW060

Monkey Bars Maintenance Instructions



NOTE

The warranty is invalidated if these instructions are not followed.

All wood needs annual inspection and retreatment where required.

Recommended Regular Inspection and Maintenance

	Interval Days				
	7	14	28	56	365
Check stability of structure, tighten connections if required.	<input type="checkbox"/>	<input type="checkbox"/>	<input type="checkbox"/>	<input checked="" type="checkbox"/>	<input type="checkbox"/>
Check all uprights at ground level for corrosion and/or rot. Replace any defective parts.	<input type="checkbox"/>	<input type="checkbox"/>	<input type="checkbox"/>	<input type="checkbox"/>	<input checked="" type="checkbox"/>
Check all painted elements for damage, rub down and repaint or replace as required.	<input type="checkbox"/>	<input type="checkbox"/>	<input type="checkbox"/>	<input checked="" type="checkbox"/>	<input type="checkbox"/>
Check chain/ropework assemblies for wear and damage, replace if required.	<input type="checkbox"/>	<input checked="" type="checkbox"/>	<input type="checkbox"/>	<input type="checkbox"/>	<input type="checkbox"/>
Check rotating and pivot points for wear and smooth running lubricate or replace if required.	<input type="checkbox"/>	<input type="checkbox"/>	<input checked="" type="checkbox"/>	<input type="checkbox"/>	<input type="checkbox"/>
Check rubber parts for wear and/or damage, replace if required.	<input type="checkbox"/>	<input type="checkbox"/>	<input checked="" type="checkbox"/>	<input type="checkbox"/>	<input type="checkbox"/>
Check tension cables, adjust if required.	<input type="checkbox"/>	<input type="checkbox"/>	<input checked="" type="checkbox"/>	<input type="checkbox"/>	<input type="checkbox"/>
Check wear of cables, replace if required.	<input type="checkbox"/>	<input type="checkbox"/>	<input checked="" type="checkbox"/>	<input type="checkbox"/>	<input type="checkbox"/>
Check slide chutes for smoothness and any foreign elements, remove any found.	<input type="checkbox"/>	<input type="checkbox"/>	<input checked="" type="checkbox"/>	<input type="checkbox"/>	<input type="checkbox"/>
Check rubber safety surfaces for damage and poor performance, repair or replace if required.	<input type="checkbox"/>	<input type="checkbox"/>	<input type="checkbox"/>	<input checked="" type="checkbox"/>	<input type="checkbox"/>
Check loose fill safety surfaces, remove any foreign elements, rake level and top up if required.	<input type="checkbox"/>	<input type="checkbox"/>	<input checked="" type="checkbox"/>	<input type="checkbox"/>	<input type="checkbox"/>

Disposal Instructions

All components should be broken down into categories of:-

- 1 **Mild Steel** - all Swing Frames, Playzone, Toddlerzone, Teenzone activities, Mission, Orchard Deck Frames and Springie Frames.
- 2 **Stainless Steel** - all Slides, Mirror Panels.
- 3 **Aluminium** - all Playzone, Mission and Toddlerzone Posts.
- 4 **Galvanised Steel** - all Chains and Teenzone Posts.
- 5 **Moulded Rubber Products without steel inserts** - all Mission and Toddlerzone Caps and edge details.
- 6 **Timber** - all natural timber, plywood, and MDF panels.

Wherever possible these materials should be taken to specialist recycling organisations and recycled.

In some cases where composite materials are used, then disposal at land fill sites is the only alternative such as:

- 7 **Moulded Rubber Products encasing steel inserts** - all Swing Seats, Deck Tops, Duo/Dizzy Disc Tops.
- 8 **High Pressure Laminate** - all Toddlerzone, Playzone and Teenzone Panels.
- 9 **Steel Core Polypropylene Rope** - all Scramble Nets, Space Nets, Playzone/Toddlerzone/Mission Ropes.