

design
make
play

SutcliffePlay

Waggon Lane
Upton Pontefract
West Yorkshire WF9 1JS
Telephone +44 (0) 1977 653200
Facsimile +44 (0) 1977 653222
info@sutcliffeplay.co.uk
www.sutcliffeplay.co.uk

Orchard Stepping Posts

Installation Instructions

ORU028/ORW028

ORU028/ORW028

Orchard Stepping Posts Installation Instructions

design
make
play
SutcliffePlay

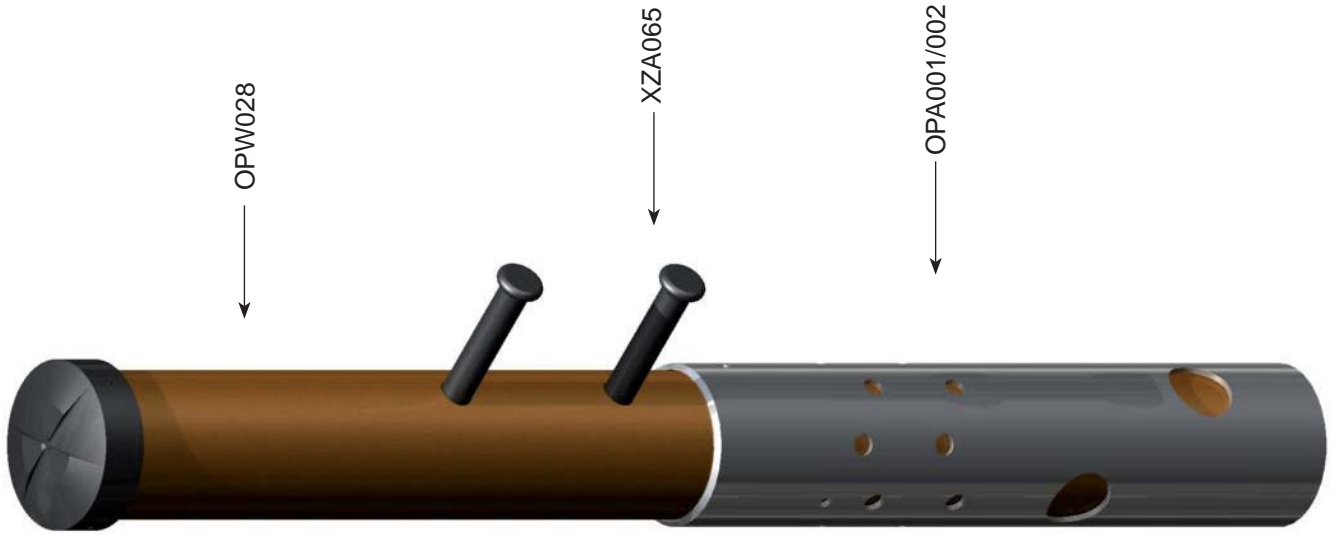
- 1 Read all instructions carefully before starting the assembly.
- 2 Check using the parts list and fixing kit list that none of the components are missing. If any parts are missing contact our Sales Office.
- 3 Plan the final position of the play equipment ensuring there is sufficient space. See the ground plan for recommended safety surfacing area and critical fall heights to EN1176.
- 4 Excavate the foundation holes in accordance with the plan. Orchard is designed to be installed onto a level site.
- 5 Fit the ground fixings OPA001/OPA002 to the bottom of the log, following the instruction sheet on page 04.
- 6 Erect the log into the foundation holes using the ground plan for reference. Each log is marked at the base with an X.
- 7 Assemble the activities to the logs prior to concreting into position.
- 8 When all the activities are fitted, fill the foundation holes to the required depth with concrete.
- 9 Do not allow the equipment to be used until the concrete has set (2 - 3 days) and the required safety surfacing has been installed.
- 10 Check that all fixing bolts are fully tightened. Fit the post caps following the instruction sheet on page 04.
- 11 After one month check all bolts and tighten if necessary. After this one month period insert the rubber log plugs as described on the instruction sheets page 05.
- 12 Follow the maintenance instructions supplied.

During installation care must be taken to prevent hazards to children.
Care should be taken if conditions are abnormal.

ORU028/ORW028

Orchard Stepping Posts Parts List

Rev 00



design
make
play

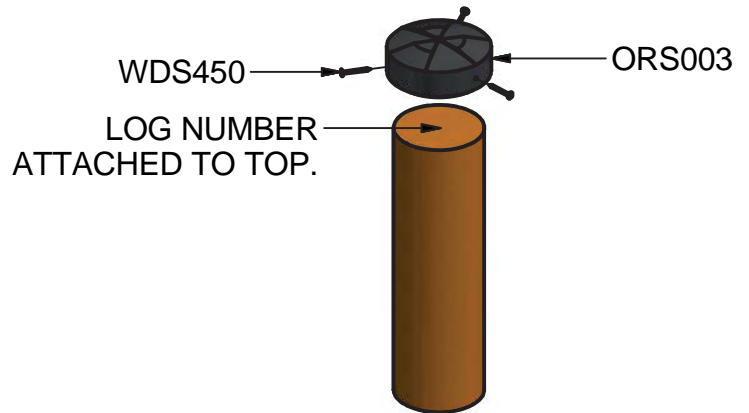
SutcliffePlay

| Ref | Description | Qty |
|------------|--------------------|-------|
| OPA001/002 | Ground Fixing | 1 |
| XZA065 | Hand Hold Moulding | 2 |
| OPW028 | Log (Set of 1) | 1 Set |
| ORU028F | Fixing Kit | 1 Set |

ORU028/ORW028

FIT RUBBER CAPS TO THE END OF THE LOGS AND FIX IN POSITION USING 3 OFF WDS450 PER JOINT.

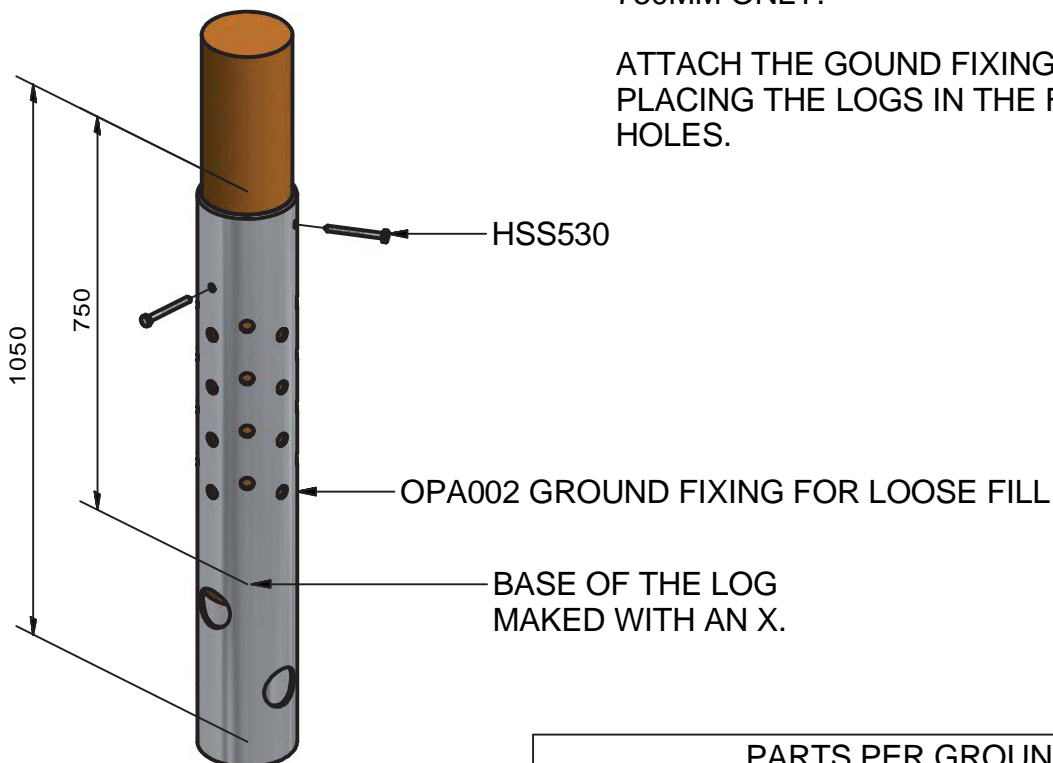
NOTE THE RUBBER CAPS ARE A TIGHT FIT ON THE LOGS.



| PARTS PER JOINT | | |
|-----------------|------------------------|-----|
| STOCK CODE | DESCRIPTION | QTY |
| ORS003 | RUBBER POST CAP | 1 |
| WDS450 | 12 x 2" CSK POZI SCREW | 3 |

IMPORTANT NOTE
INSERT THE LOGS INTO THE GROUND FIXINGS 750MM ONLY.

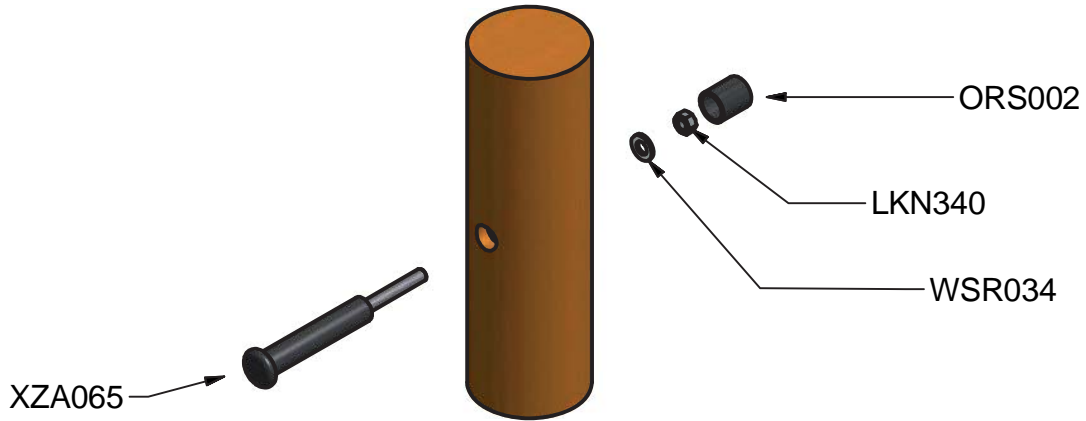
ATTACH THE GROUND FIXINGS BEFORE PLACING THE LOGS IN THE FOUNDATION HOLES.



| PARTS PER GROUND FIXING | | |
|-------------------------|-----------------------------------|-----|
| STOCK CODE | DESCRIPTION | QTY |
| HSS530 | M10 x 100 COACH SCREW BZP | 3 |
| OPA002 | ALLOY GROUND FIXING ANODIZED 1050 | 1 |

ORU028/ORW028

HANDHOLD/FOOTHOLD FIXING



| PARTS PER HANDHOLD/FOOTHOLD | | |
|-----------------------------|------------------------|-----|
| STOCK CODE | DESCRIPTION | QTY |
| LKN340 | M16 NYLOC NUT | 1 |
| ORS002 | 35 DIA RUBBER LOG PLUG | 1 |
| WSR034 | M16 FLAT WASHER FORM C | 1 |
| XZA065 | HANDHOLD MOULDING | 1 |

ORU028F Fixing Kit

| STOCK CODE | DESCRIPTION | QTY |
|--|--------------------------|-----|
|  HHB720 | M16 x 120 HEX HEAD BOLT | 0 |
|  HHB770 | M16 x 260 HEX HEAD BOLT | 0 |
|  HSS530 | M10 x 80 COACH SCREW | 3 |
|  LKN340 | M16 NYLOC NUT | 2 |
|  ORS001 | TIMBER RUBBER SPACER | 0 |
|  ORS002 | 41 DIA RUBBER LOG PLUG | 2 |
|  ORS003 | ORCHARD RUBBER POST CAP | 1 |
|  ORS005ZP | SPACER RING ZINC PLATED | 0 |
|  WDS450 | No12 x 2" CSK POZI SCREW | 3 |
|  WSR034 | M16 FLAT WASHER | 2 |

ORU028/ORW028

Orchard Stepping Posts Maintenance Instructions



NOTE

The warranty is invalidated if these instructions are not followed.

All wood needs annual inspection and retreatment where required.

Recommended Regular Inspection and Maintenance

| | Interval Days | | | | |
|---|--------------------------|-------------------------------------|-------------------------------------|-------------------------------------|-------------------------------------|
| | 7 | 14 | 28 | 56 | 365 |
| Check stability of structure, tighten connections if required. | <input type="checkbox"/> | <input type="checkbox"/> | <input type="checkbox"/> | <input checked="" type="checkbox"/> | <input type="checkbox"/> |
| Check all uprights at ground level for corrosion and/or rot. Replace any defective parts. | <input type="checkbox"/> | <input type="checkbox"/> | <input type="checkbox"/> | <input type="checkbox"/> | <input checked="" type="checkbox"/> |
| Check all painted elements for damage, rub down and repaint or replace as required. | <input type="checkbox"/> | <input type="checkbox"/> | <input type="checkbox"/> | <input checked="" type="checkbox"/> | <input type="checkbox"/> |
| Check chain/ropework assemblies for wear and damage, replace if required. | <input type="checkbox"/> | <input checked="" type="checkbox"/> | <input type="checkbox"/> | <input type="checkbox"/> | <input type="checkbox"/> |
| Check rotating and pivot points for wear and smooth running lubricate or replace if required. | <input type="checkbox"/> | <input type="checkbox"/> | <input checked="" type="checkbox"/> | <input type="checkbox"/> | <input type="checkbox"/> |
| Check rubber parts for wear and/or damage, replace if required. | <input type="checkbox"/> | <input type="checkbox"/> | <input checked="" type="checkbox"/> | <input type="checkbox"/> | <input type="checkbox"/> |
| Check tension cables, adjust if required. | <input type="checkbox"/> | <input type="checkbox"/> | <input checked="" type="checkbox"/> | <input type="checkbox"/> | <input type="checkbox"/> |
| Check wear of cables, replace if required. | <input type="checkbox"/> | <input type="checkbox"/> | <input checked="" type="checkbox"/> | <input type="checkbox"/> | <input type="checkbox"/> |
| Check slide chutes for smoothness and any foreign elements, remove any found. | <input type="checkbox"/> | <input type="checkbox"/> | <input checked="" type="checkbox"/> | <input type="checkbox"/> | <input type="checkbox"/> |
| Check rubber safety surfaces for damage and poor performance, repair or replace if required. | <input type="checkbox"/> | <input type="checkbox"/> | <input type="checkbox"/> | <input checked="" type="checkbox"/> | <input type="checkbox"/> |
| Check loose fill safety surfaces, remove any foreign elements, rake level and top up if required. | <input type="checkbox"/> | <input type="checkbox"/> | <input checked="" type="checkbox"/> | <input type="checkbox"/> | <input type="checkbox"/> |

Disposal Instructions

All components should be broken down into categories of:-

- 1 **Mild Steel** - all Swing Frames, Playzone, Toddlerzone, Teenzone activities, Mission, Orchard Deck Frames and Springie Frames.
- 2 **Stainless Steel** - all Slides, Mirror Panels.
- 3 **Aluminium** - all Playzone, Mission and Toddlerzone Posts.
- 4 **Galvanised Steel** - all Chains and Teenzone Posts.
- 5 **Moulded Rubber Products without steel inserts** - all Mission and Toddlerzone Caps and edge details.
- 6 **Timber** - all natural timber, plywood, and MDF panels.

Wherever possible these materials should be taken to specialist recycling organisations and recycled.

In some cases where composite materials are used, then disposal at land fill sites is the only alternative such as:

- 7 **Moulded Rubber Products encasing steel inserts** - all Swing Seats, Deck Tops, Duo/Dizzy Disc Tops.
- 8 **High Pressure Laminate** - all Toddlerzone, Playzone and Teenzone Panels.
- 9 **Steel Core Polypropylene Rope** - all Scramble Nets, Space Nets, Playzone/Toddlerzone/Mission Ropes.