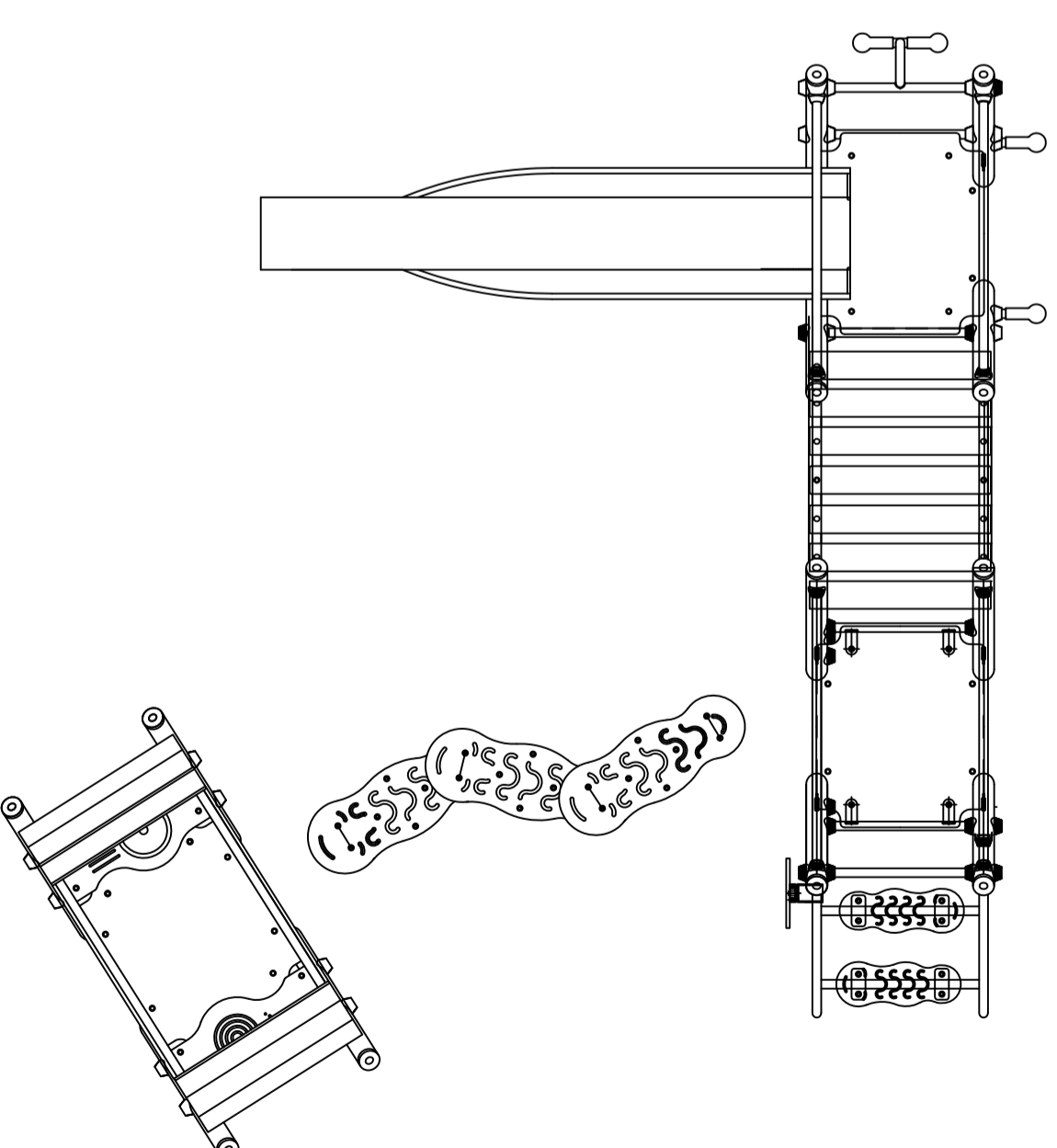


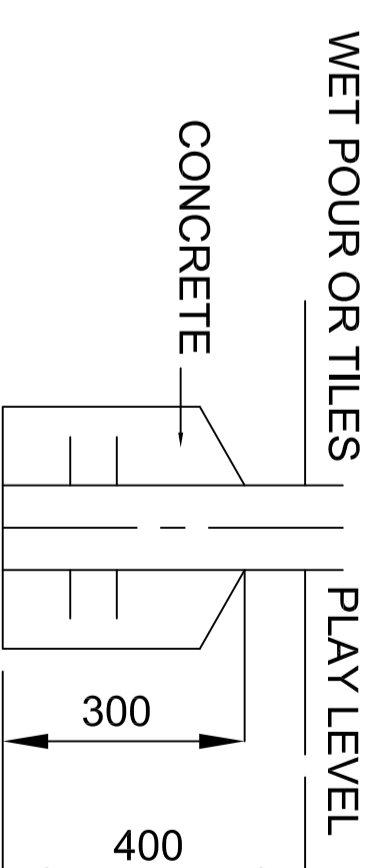
37.5m<sup>2</sup> Minimum Use Zone  
(NO SURFACING REQUIRED)  
23.4 Lm PERIMETER  
23.25m<sup>2</sup> of Grass Mat (15.5 Tiles)

ALTHOUGH THIS UNIT DOES NOT REQUIRE SAFETY SURFACING WHEN INSTALLED IN TO GRASS, NO HARD EDGES ARE PERMITTED WITHIN THE MINIMUM USE ZONE AS INDICATED ON THIS PLAN.  
PLEASE DO NOT SCALE THIS DRAWING.  
SCALE 1:20 WHEN PRINTED ON A2.

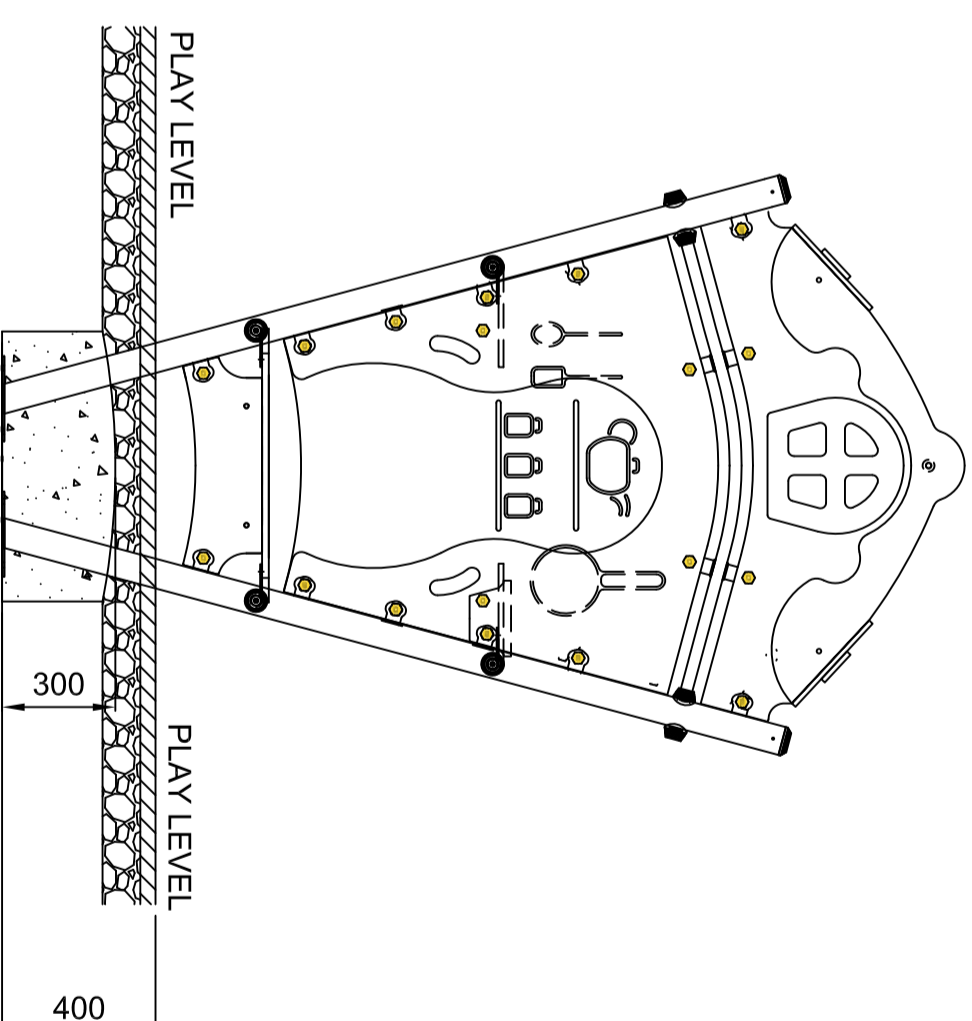
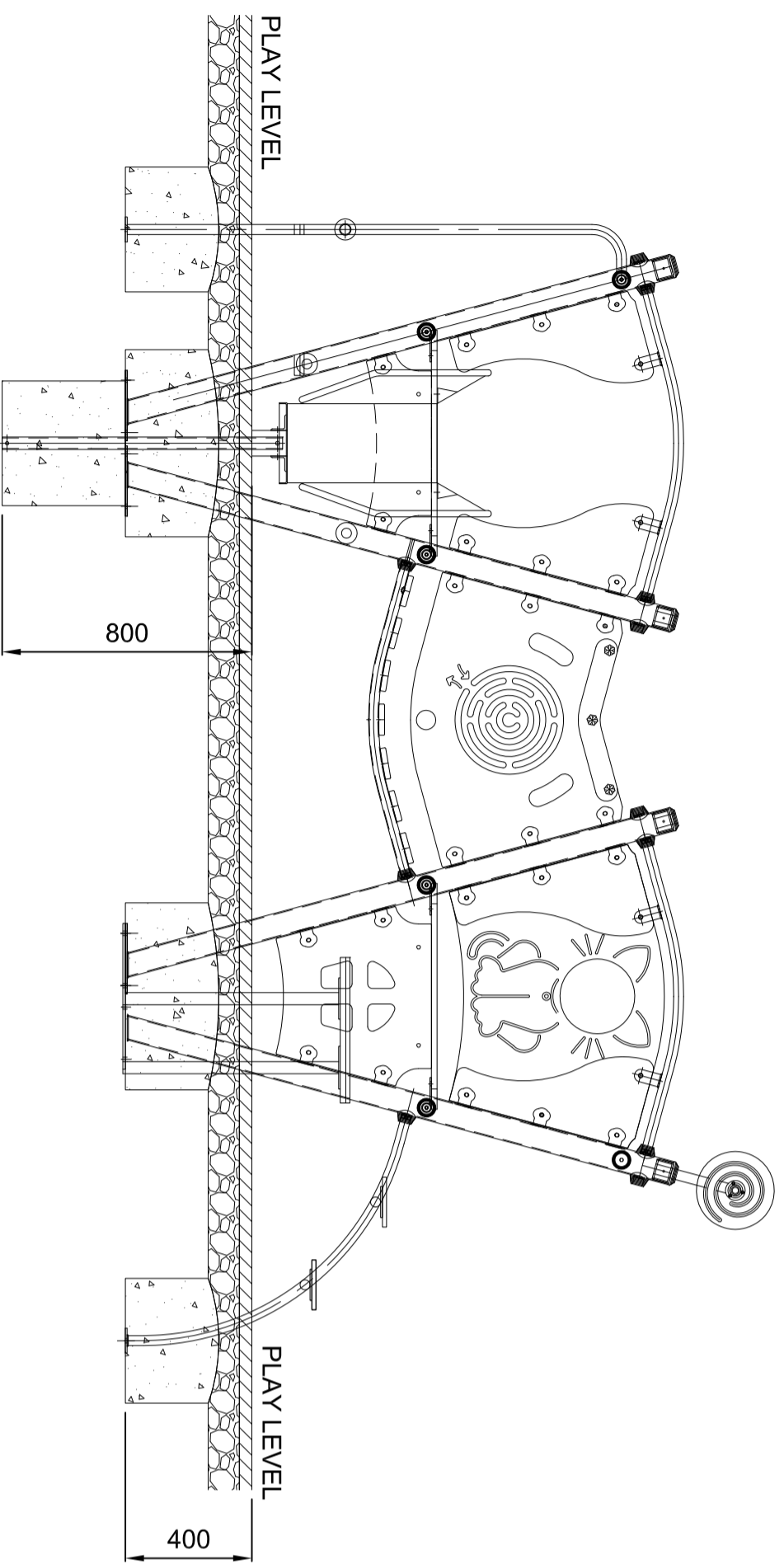


design  
make  
play  
**SutcliffePlay**

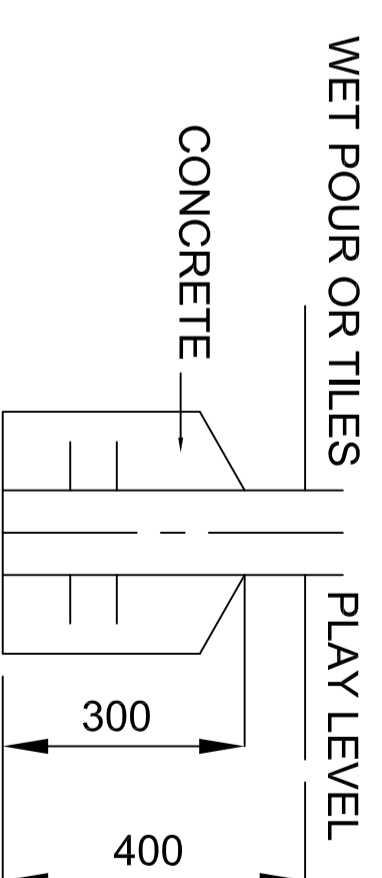
FOUNDATION DETAIL  
TO EN1176



GROUND PLAN	MTW009
SHEET	1 of 2
REV	
DRAWN	IM
SCALE	1:25 @ A2
DATE	06/04/18
SAFETY SURFACE AREA	HIC: 0.6m
AREA	PERIMETER: 23.4m
HOLE A	400x400x400 DEEP
HOLE B	400x600x400 DEEP
HOLE C	400x900x400 DEEP
HOLE D	400x400x800 DEEP
HOLE E	700x 800x400 DEEP



FOUNDATION DETAIL  
TO EN1176



ALTHOUGH THIS UNIT DOES NOT REQUIRE SAFETY SURFACING WHEN  
INSTALLED IN TO GRASS, NO HARD EDGES ARE PERMITTED WITHIN  
THE MINIMUM USE ZONE AS INDICATED ON THIS PLAN.  
PLEASE DO NOT SCALE THIS DRAWING.  
SCALE 1:20 WHEN PRINTED ON A2.

GROUND PLAN	MTW009
SHEET	2 of 2
REV	
DRAWN	IM
SCALE	1:25 @ A2
DATE	06/04/18
SAFETY SURFACE AREA	HIC: 0.6m AREA: 37.5m <sup>2</sup>
AREA	PERIMETER: 23.4m
HOLE A	400x400x400 DEEP
HOLE B	400x600x400 DEEP
HOLE C	400x900x400 DEEP
HOLE D	400x400x800 DEEP
HOLE E	700x 800x400 DEEP