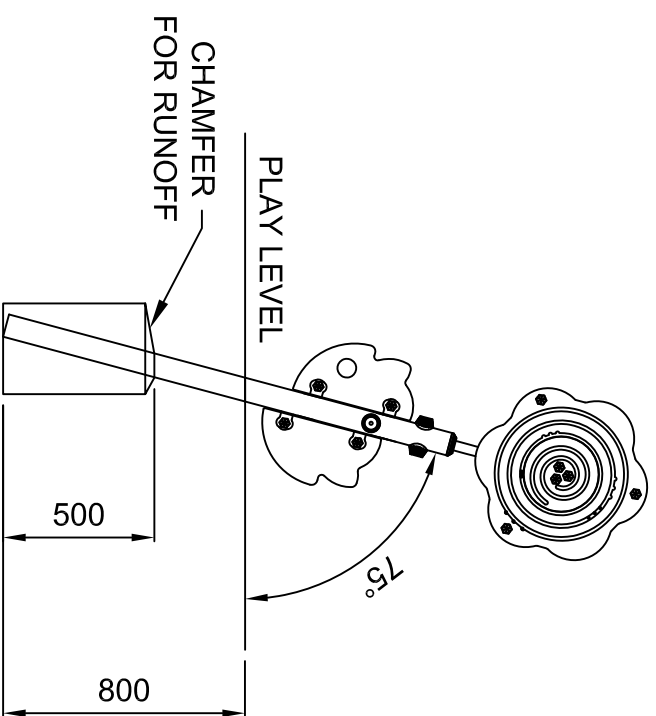
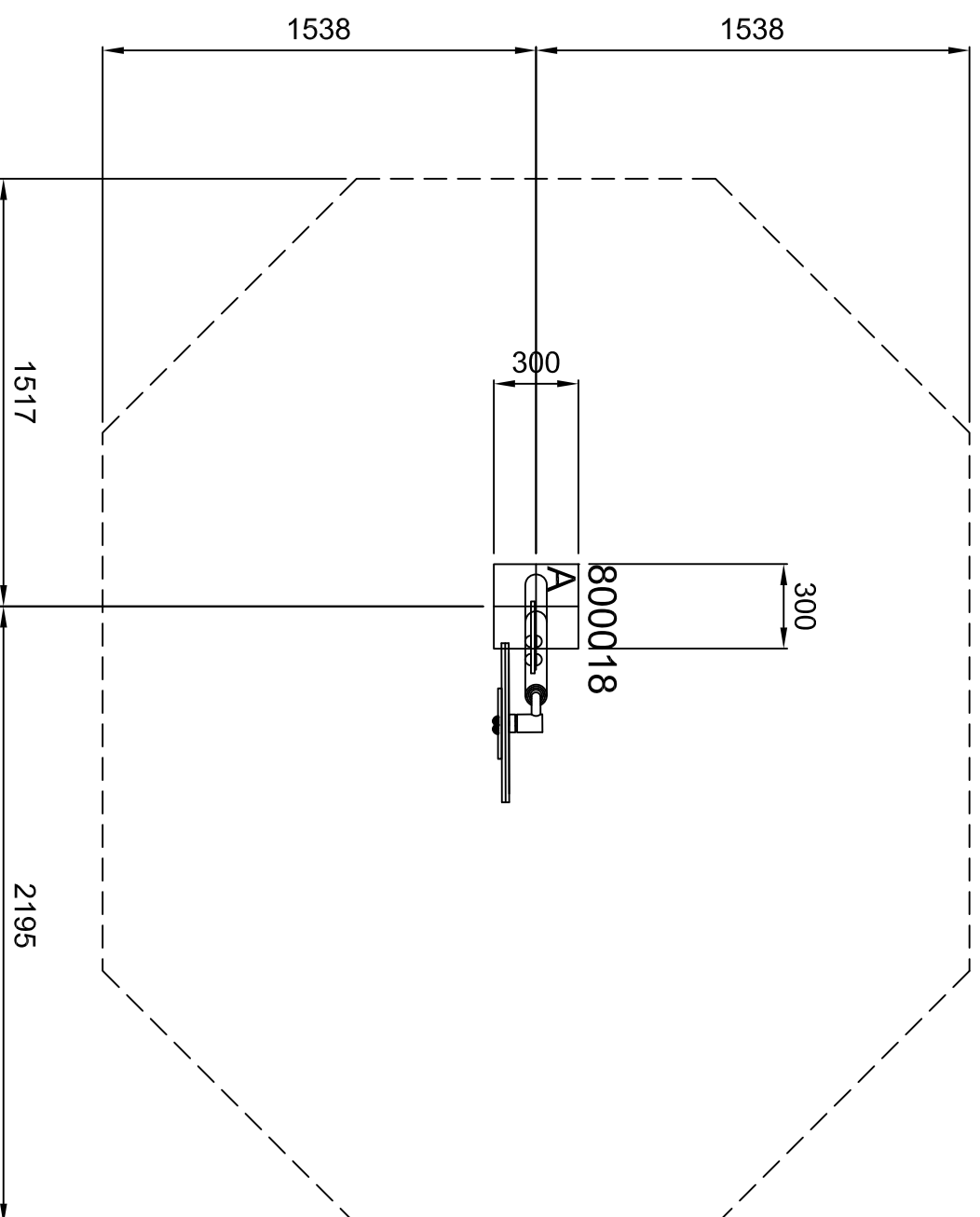


**PLAN SCALE 1:50**



MINIMUM USE ZONE  
 REQUIREMENTS TO EN 1176  
 PERIMETER 11.46M  
 AREA - 9.79m<sup>2</sup>  
 NO SAFETY SURFACING REQUIRED  
 WHEN INSTALLED IN TO GRASS

design  
 make  
 play  
**SutcliffePlay**



DO NOT SCALE THIS DRAWING  
 SCALE 1:25 WHEN PRINTED ON A3

GROUND PLAN	<b>MTU010</b>
REV	00
DRAWN	IM
SCALE	1:25 @ A3
DATE	20/07/17
SAFETY SURFACE AREA	NOT REQUIRED ON TO GRASS
HOLE A 300X300X800 DEEP	