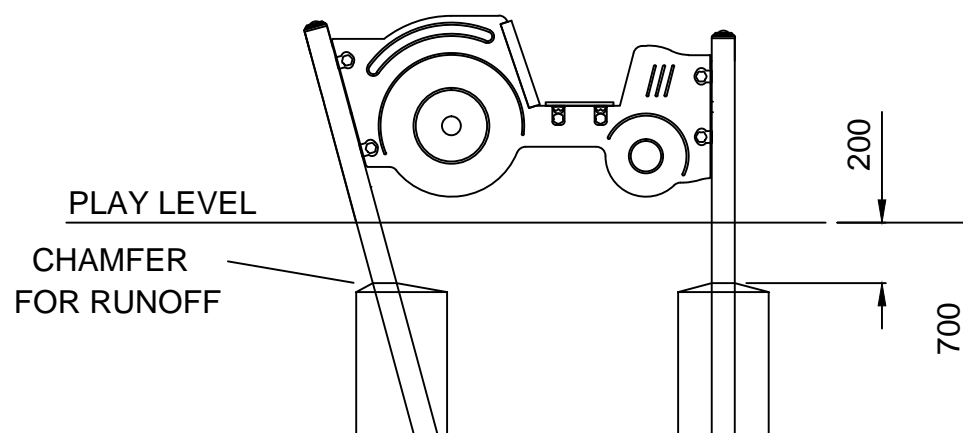
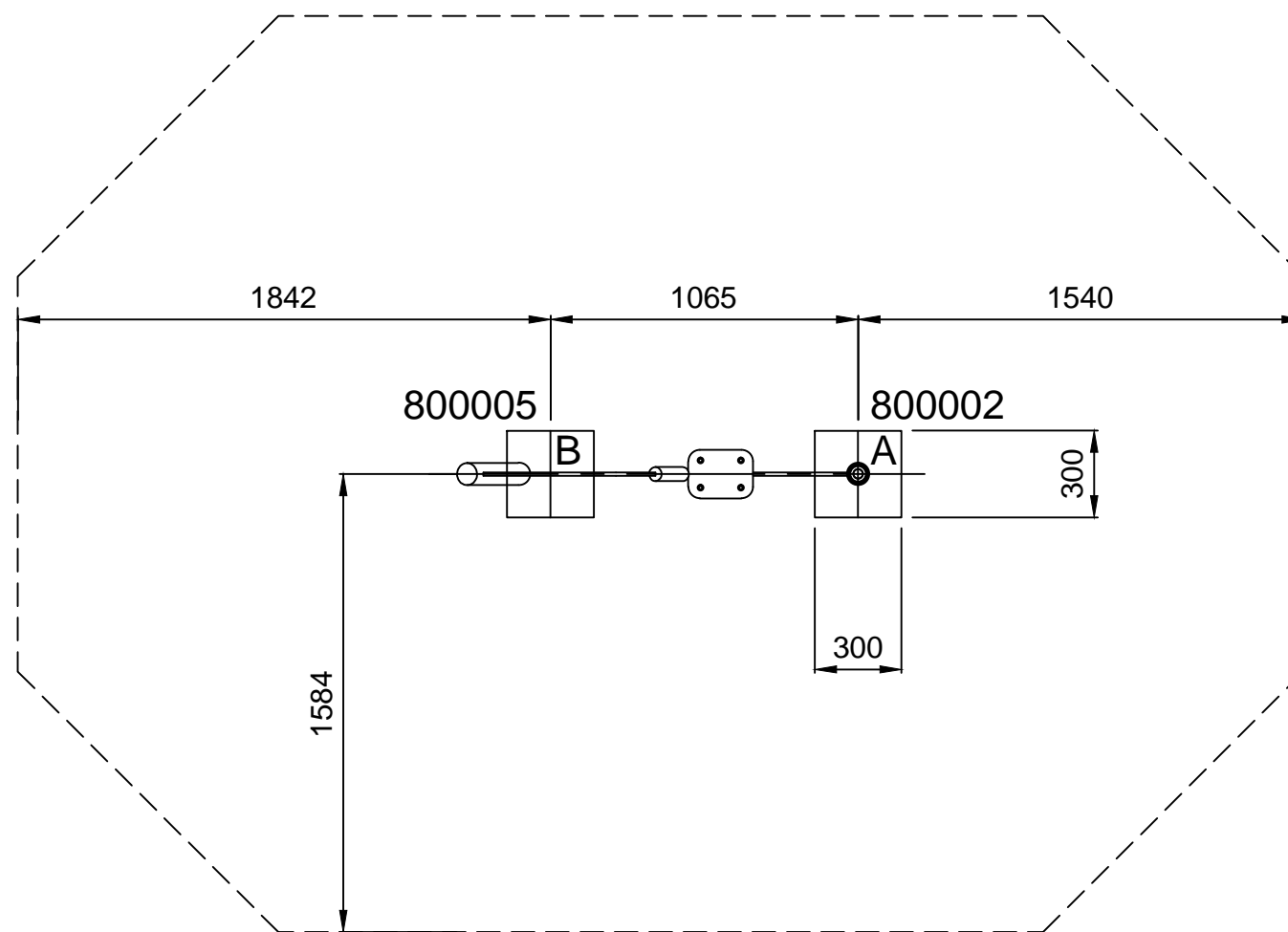


PLAN SCALE 1:50



MINIMUM USE ZONE
REQUIREMENTS TO EN 1176
PERIMETER 13.12M
AREA - 12.46m²
NO SAFETY SURFACING REQUIRED
WHEN INSTALLED IN TO GRASS



DO NOT SCALE THIS DRAWING
SCALE 1:25 WHEN PRINTED ON A3

GROUND PLAN	MTU006
REV	00
DRAWN	PM
SCALE	1:25 @ A3
DATE	15.07.16
SAFETY SURFACE AREA	NOT REQUIRED ON TO GRASS
HOLE A 300x300x700 DEEP	
HOLE B 500x300x700 DEEP	