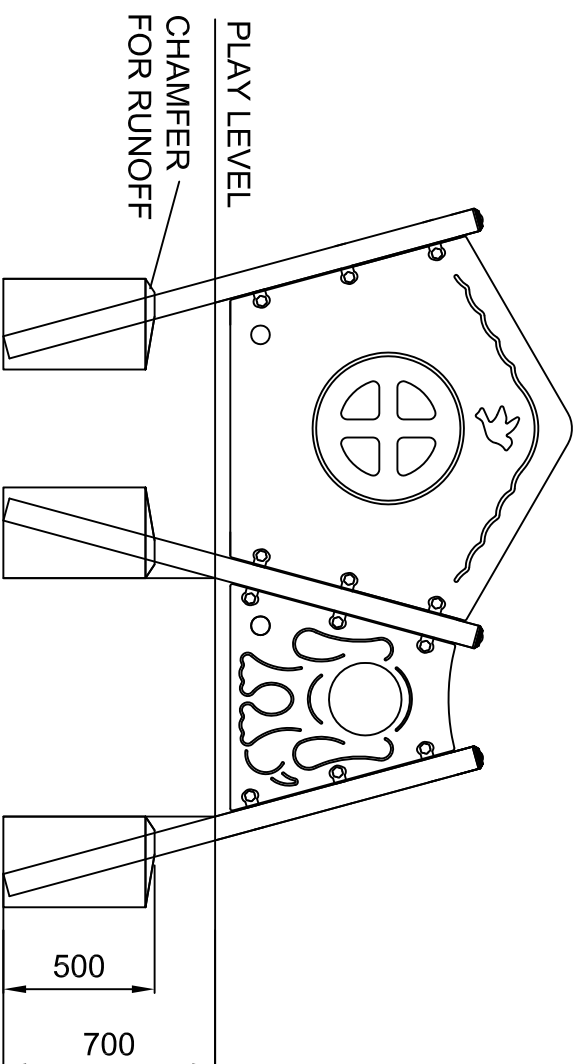
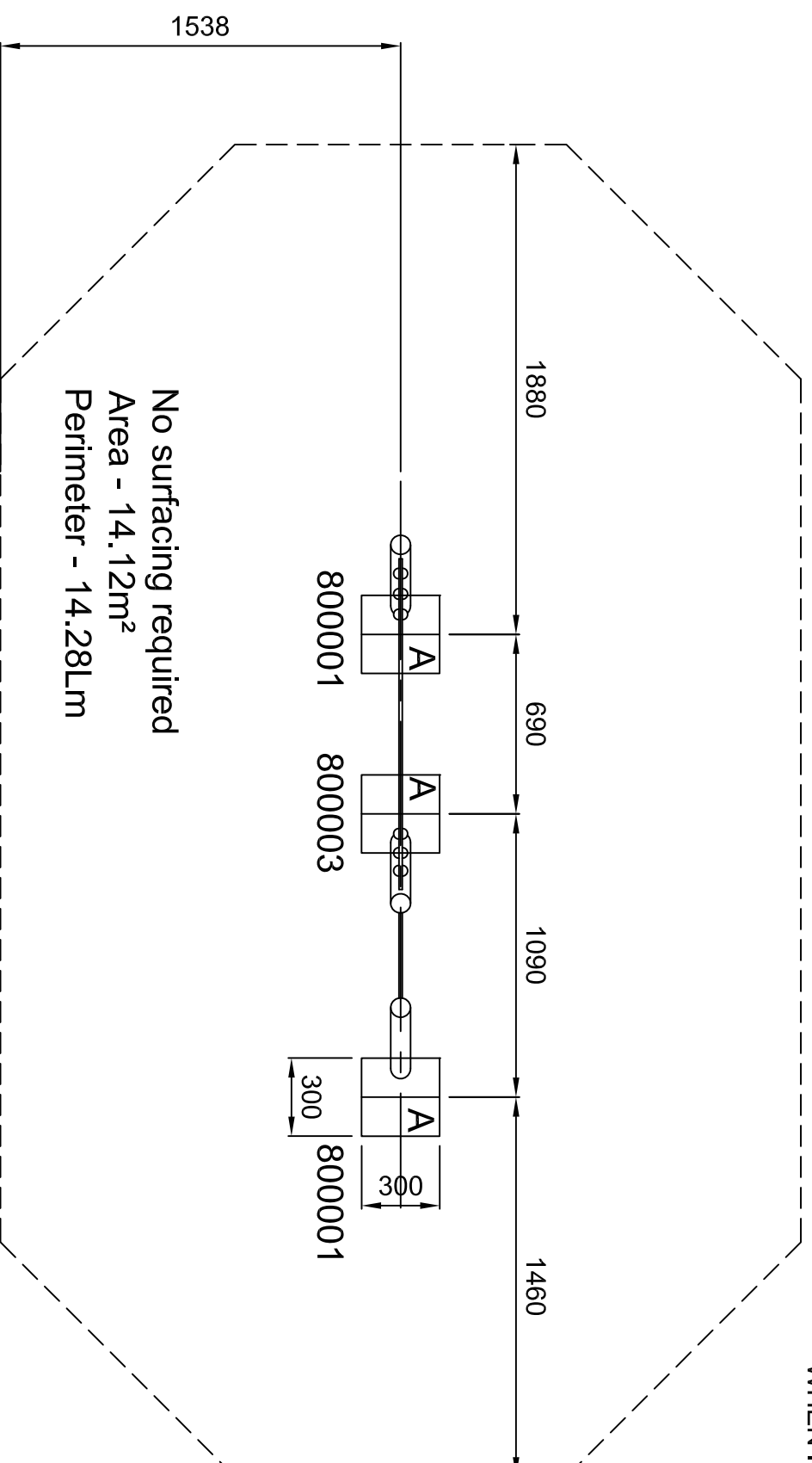


PLAN SCALE 1:50



MINIMUM USE ZONE
REQUIREMENTS TO EN 1176
PERIMETER 14.28M
AREA - 14.12m²
NO SAFETY SURFACING REQUIRED
WHEN INSTALLED IN TO GRASS

design
make
play
SutcliffePlay



DO NOT SCALE THIS DRAWING

SCALE 1:25 WHEN PRINTED ON A3

GROUND PLAN	MTU001
REV	00
DRAWN	PM
SCALE	1:25 @ A3
DATE	14.07.16
SAFETY SURFACE AREA	NOT REQUIRED ON TO GRASS
HOLE A 300X300X700 DEEP	