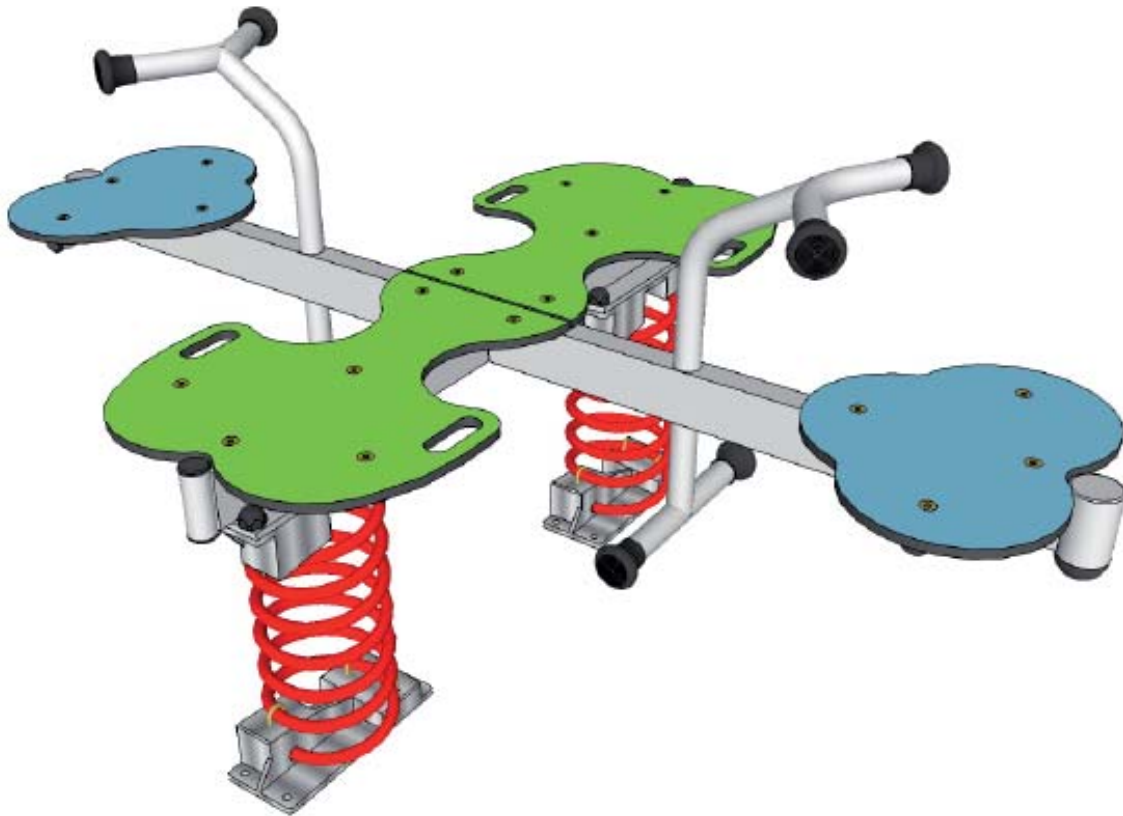


design
make
play

SutcliffePlay

Waggon Lane
Upton Pontefract
West Yorkshire WF9 1JS
Telephone +44 (0) 1977 653200
Facsimile +44 (0) 1977 653222
info@sutcliffeplay.co.uk
www.sutcliffeplay.co.uk

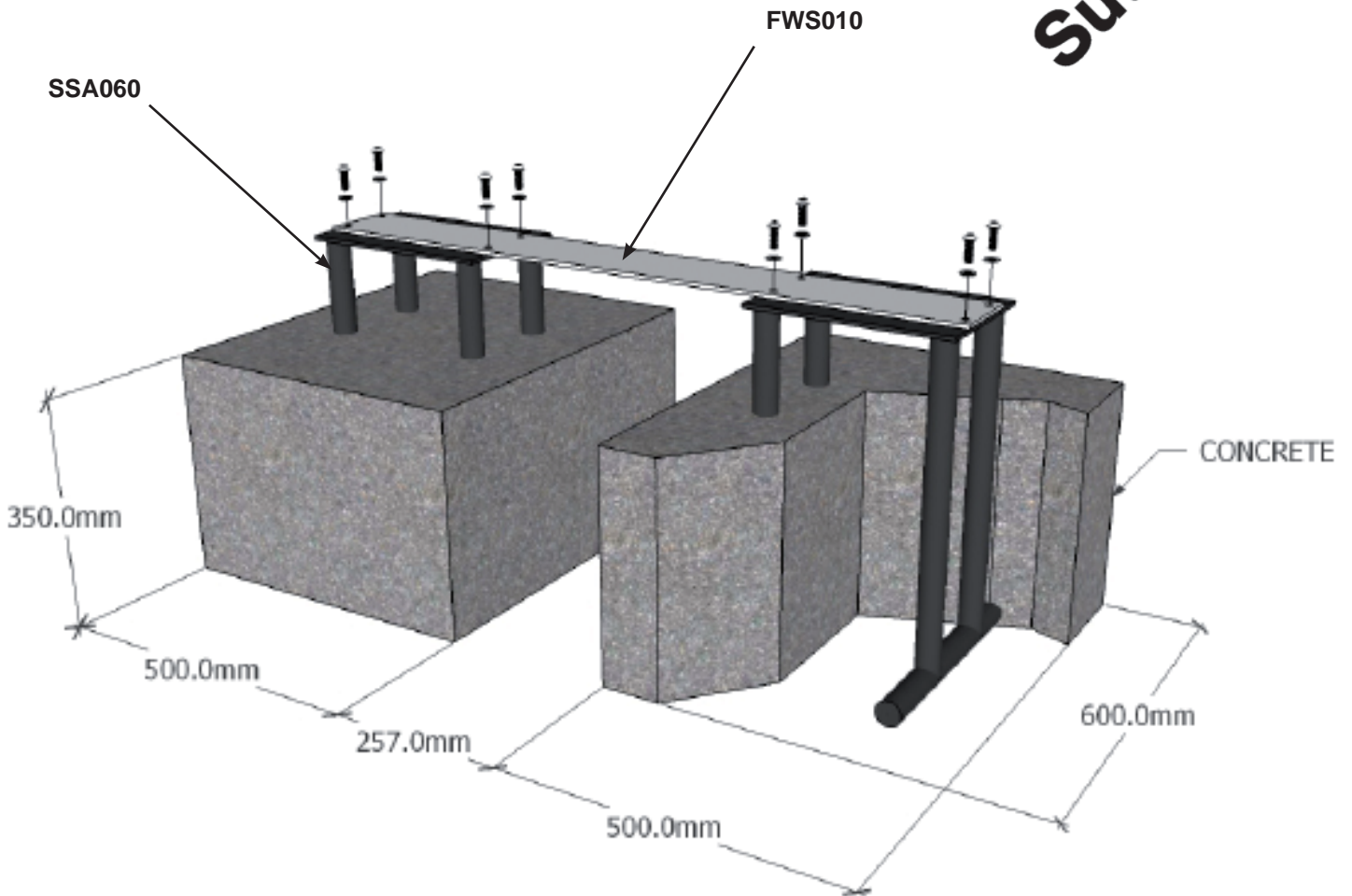


Four Way Seesaw FWS001 Installation Instructions

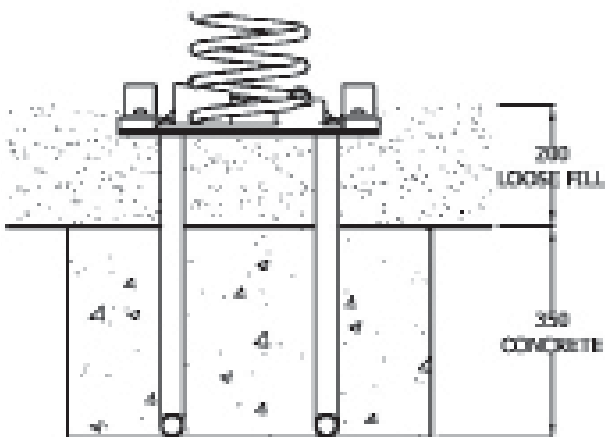
Installation Instructions

Four Way Seesaw
FWS001

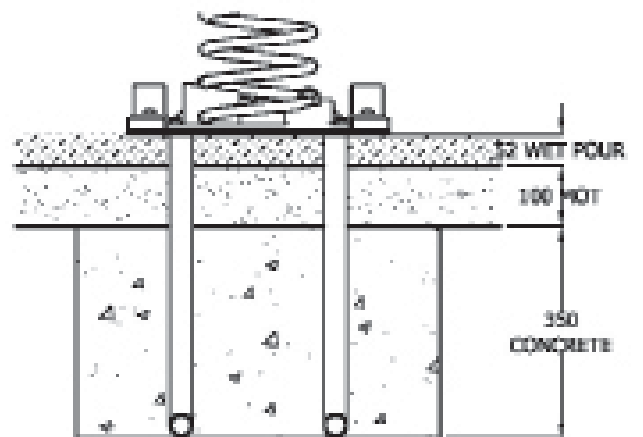
design
make
play
SutcliffePlay



Foundation for loose fill surfacing



Foundation for synthetic surfaces



Installation Instructions

Four Way Seesaw

FWS001

design
make
play
SutcliffePlay

Installation procedure

1. Plan the final position of the play equipment ensuring that there is sufficient space*.
2. Excavate the foundation holes in accordance with the plan**.
3. Screw the fixing plate (FWS010) to the 2 ground fixings (SSA060) then Place the ground fixings in the foundation holes, ensure they are level and at the required depth. Fill with concrete as shown on page 2.
4. When the concrete has set (2 - 3 days) remove the fixing plate and fit the See Saw top assembly
5. Do not allow the equipment to be used until the concrete has set (2 - 3 days) and the required safety surface has been installed.
6. Check if all the fixing bolts are tight.
7. Follow the Maintenance Instructions provided.

Important Note

The U Bolts that retain the spring will need periodic tightening.

* Care should be taken when installing the product, to reduce the hazard for the user.

** Care should be taken if conditions aren't normal.

Space requirements to EN1176

1. Area of safety surface 9.2m².
2. Perimeter of safety surface 11.0 Lm.
3. HIC - 1m

Parts supplied

No	Description	Qty	Stock Code
1	Fixing Plate	1	
2	Ground fixing	2	SSA060
3	Set of fixings:-		
	M10 x 30 Screw	4	FIX155
	M10 Washer	4	WSR040
	Fixing Tool	1	FIX195

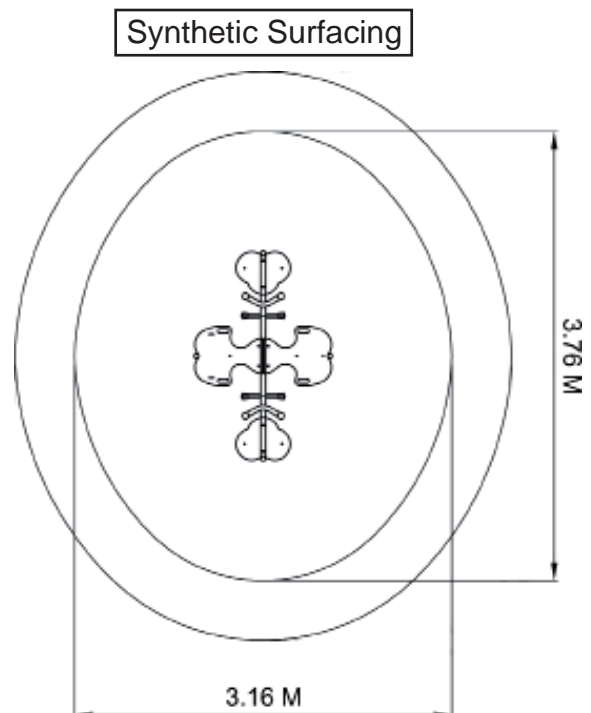
Required tools for installation

Fixing tool supplied (FIX195)

Tape measure

Spirit level

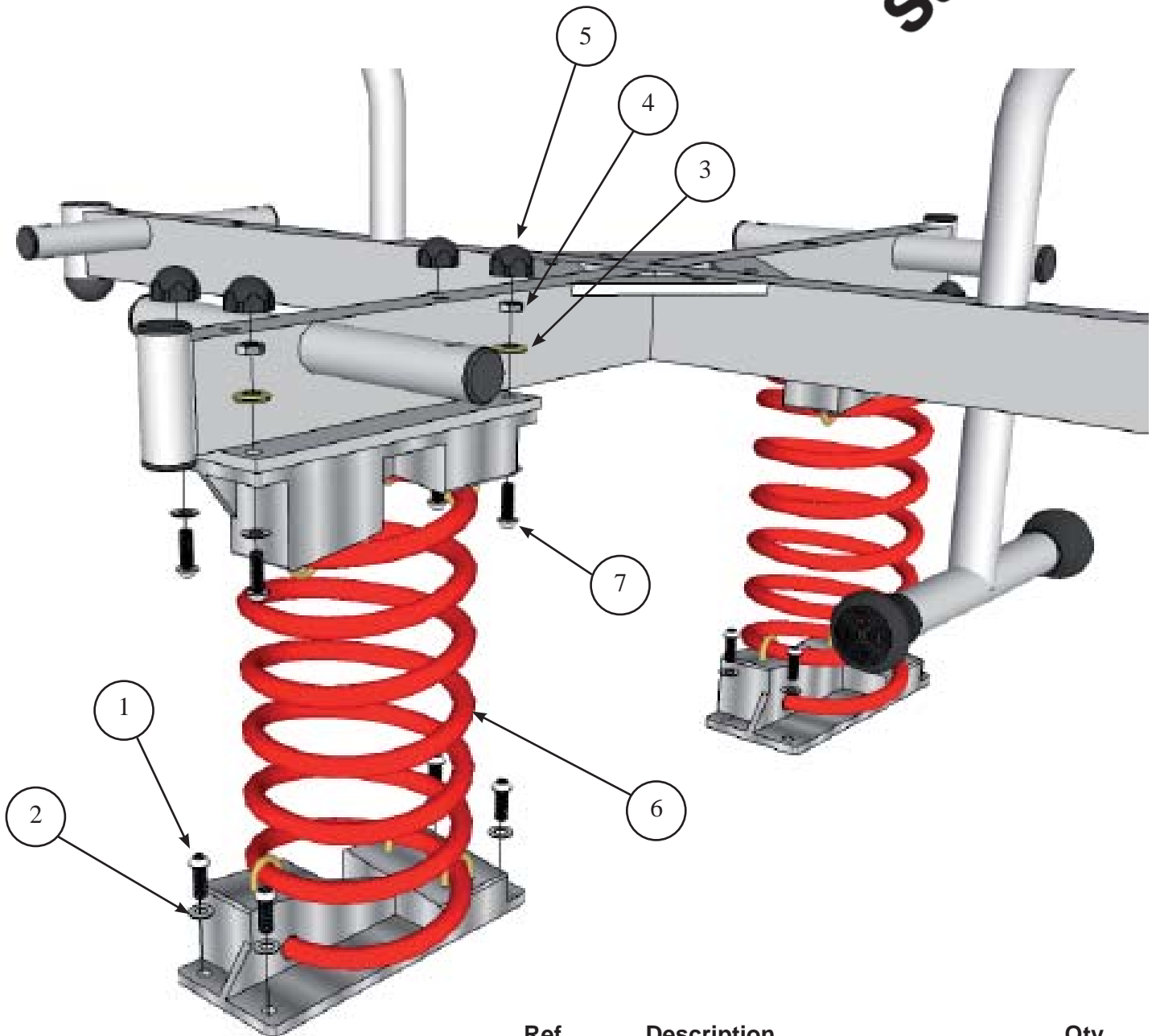
Digging equipment



Installation Instructions

Four Way Seesaw
FWS001

design
make
play
SutcliffePlay

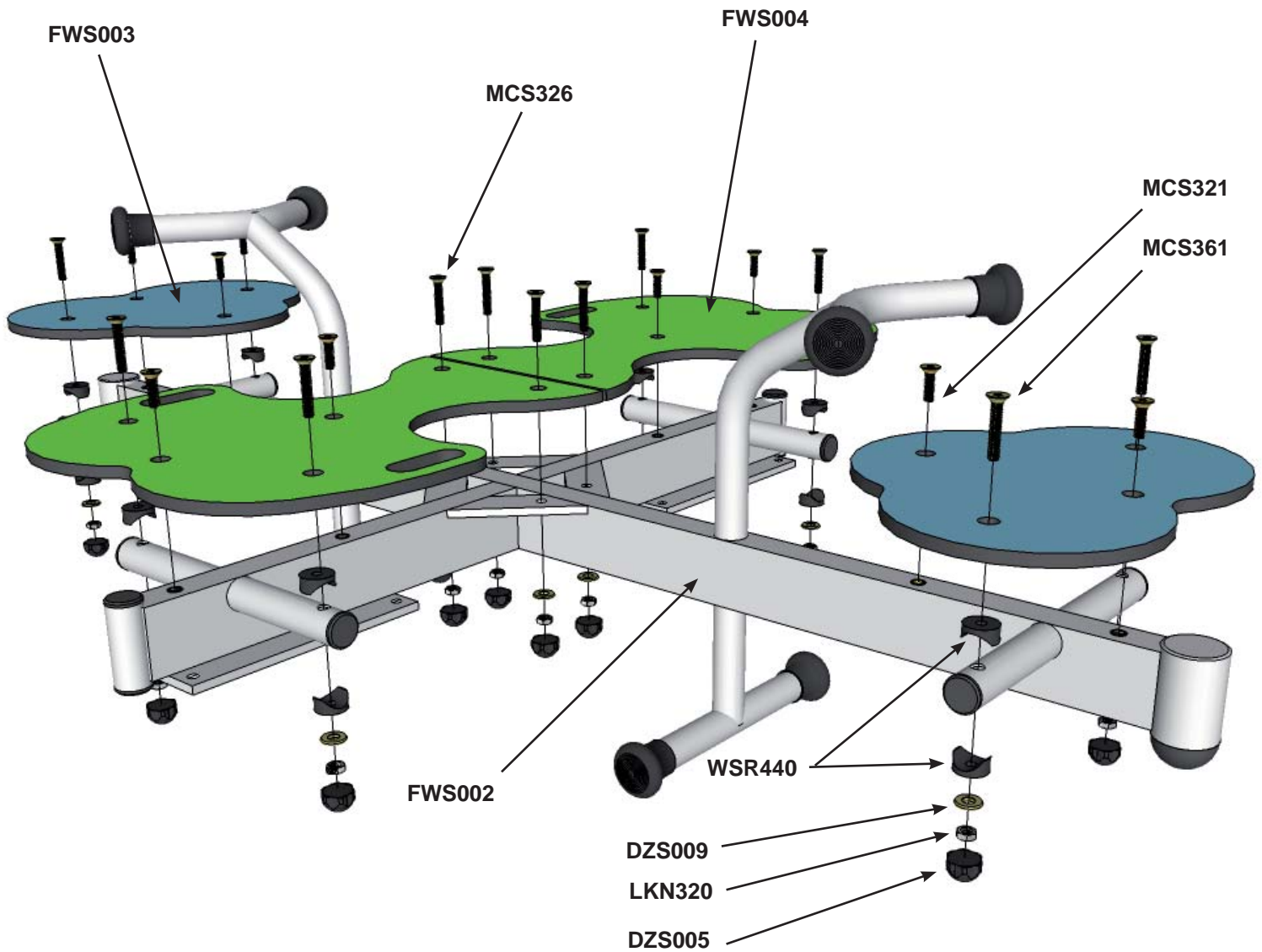


Ref	Description	Qty
1.	FIX155 M10 x 30 Security Screw	8
2.	WSR040 M10 Plain Washer	16
3.	DZS009 M10 Stepped Cover Washer	8
4.	LKN320 M10 Nylock Nut	8
5.	DZS005 M10 Nut Cover	8
6.	SSA001 Spring Assembly	2
7.	FIX159 M10 x 40 Security Screw	8

Installation Instructions

Four Way Seesaw
FWS001

design
make
play
SutcliffePlay



Ref	Description	Qty
FWS002	See Saw Frame	1
FWS003	End Seat Panel	2
FWS004	Middle Seat Panel	2
DZS005	M10 Nut Cover	12
DZS009	M10 Cover Washer	12
LKN320	M10 Nylock Nut	12
WSR440	Plastic Saddle Washer	16
MCS321	M10 x 35 Countersunk Screw	8
MCS326	M10 x 40 Countersunk Screw	4
MCS361	M10 x 75 Countersunk Screw	8

Maintenance Instructions

Four Way Seesaw
FWS001



NOTE

The warranty is invalidated if these instructions are not followed.

Recommended regular inspection and maintenance

	Interval days				
	7	14	28	56	365
Check stability of structure, tighten connections if required.	<input type="checkbox"/>	<input type="checkbox"/>	<input type="checkbox"/>	<input checked="" type="checkbox"/>	<input type="checkbox"/>
Check parts at ground level for corrosion and/or rot. Replace any defective parts	<input type="checkbox"/>	<input type="checkbox"/>	<input type="checkbox"/>	<input checked="" type="checkbox"/>	<input type="checkbox"/>
Check all painted elements for damage, rub down and repaint or replace as required.	<input type="checkbox"/>	<input type="checkbox"/>	<input type="checkbox"/>	<input checked="" type="checkbox"/>	<input type="checkbox"/>
Check rotating pivot points for wear and smooth running lubricate or replace if required.	<input type="checkbox"/>	<input type="checkbox"/>	<input checked="" type="checkbox"/>	<input type="checkbox"/>	<input type="checkbox"/>
Check rubber parts for wear and/or damage, replace if required.	<input type="checkbox"/>	<input type="checkbox"/>	<input checked="" type="checkbox"/>	<input type="checkbox"/>	<input type="checkbox"/>
Check rubber safety surfaces for damage and poor performance, repair or replace if required.	<input type="checkbox"/>	<input type="checkbox"/>	<input type="checkbox"/>	<input checked="" type="checkbox"/>	<input type="checkbox"/>
Check loose fill safety surfaces remove any foreign elements, repair or replace if required.	<input type="checkbox"/>	<input checked="" type="checkbox"/>	<input type="checkbox"/>	<input type="checkbox"/>	<input type="checkbox"/>
Check spring for fatigue or wear and tear	<input type="checkbox"/>	<input type="checkbox"/>	<input checked="" type="checkbox"/>	<input type="checkbox"/>	<input type="checkbox"/>

Disposal Instructions

All components should be broken down into categories of:-

1. **Mild Steel** - all swing frames, Playzone, Toddlerzone and Teenzone activities, deck frames and springie frames.
2. **Stainless Steel** - all slides, mirror panels.
3. **Aluminium** - all Playzone and Toddlerzone posts.
4. **Galvanised steel** - all chains and Teenzone posts.
5. **Moulded rubber products without steel inserts** - all Toddlerzone and Playzone caps and panel edging.
6. **Timber** - all natural timber, plywood and mdf panels.

Wherever possible these materials should be taken to a specialist recycling organisations and recycled. In some cases where composite materials are used then disposal at land fill sites is the only alternative such as:-

7. **Moulded rubber product with steel inserts** - all seats, deck tops, duo/dizzy disc tops.
8. **High pressure laminate** - all Toddlerzone and Playzone panels.
9. **Steel core polypropylene rope** - all scramble nets, space nets, Playzone and Toddlerzone ropes and rope bridges.