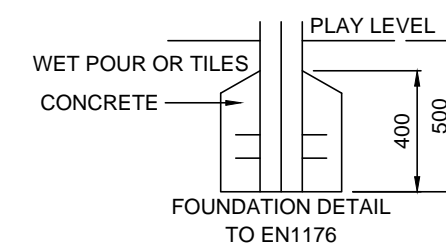
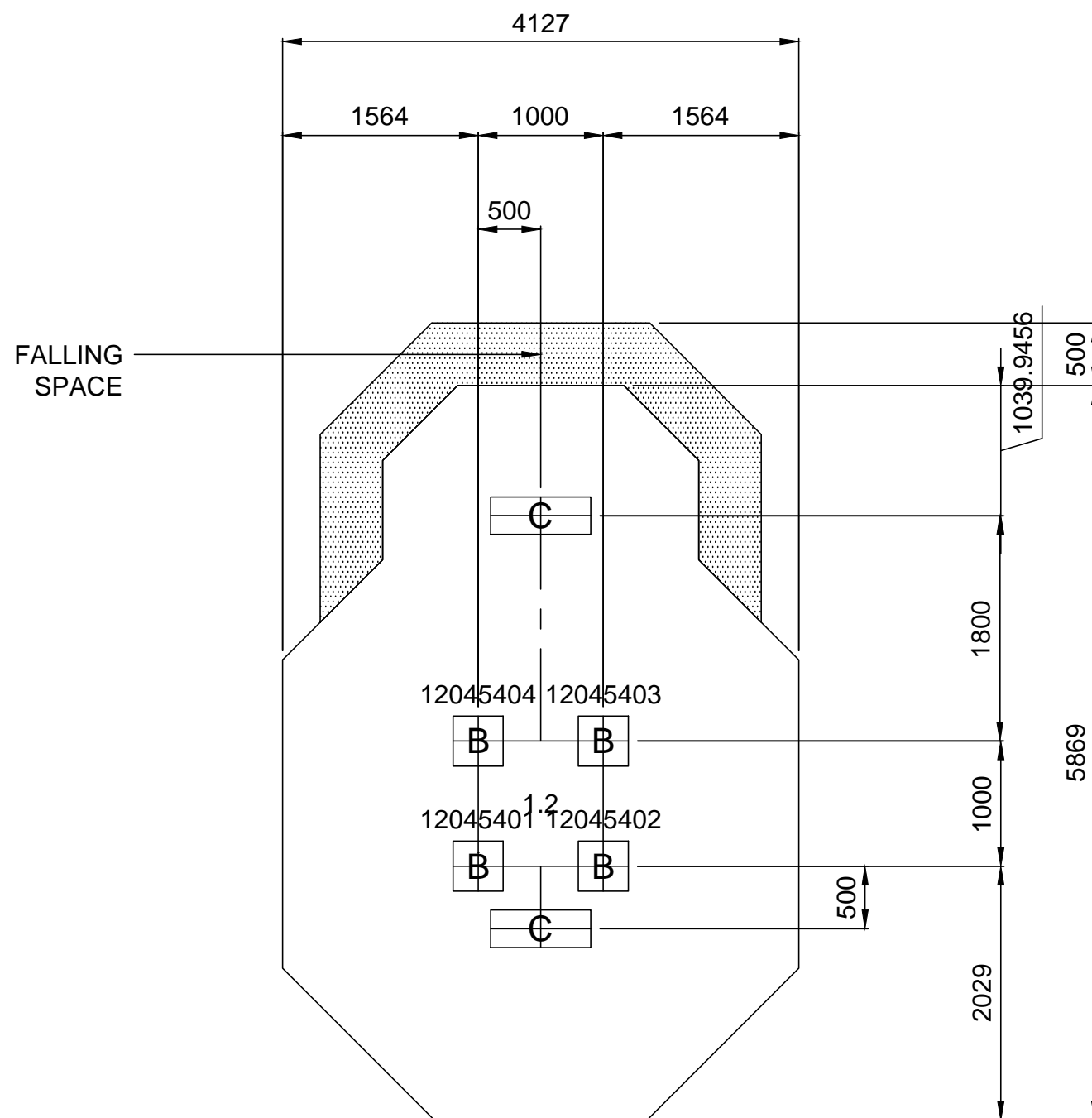
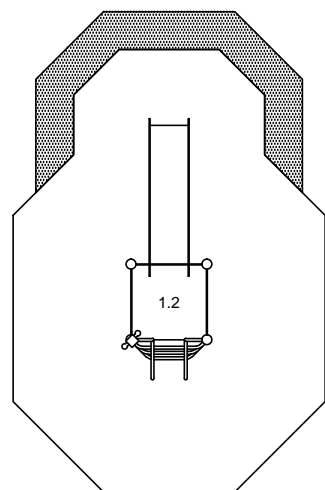


PLAN SCALE 1:100

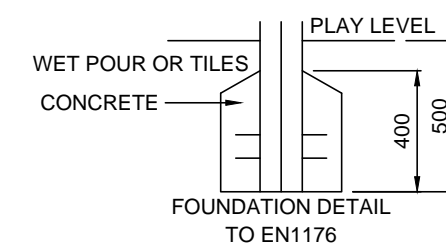
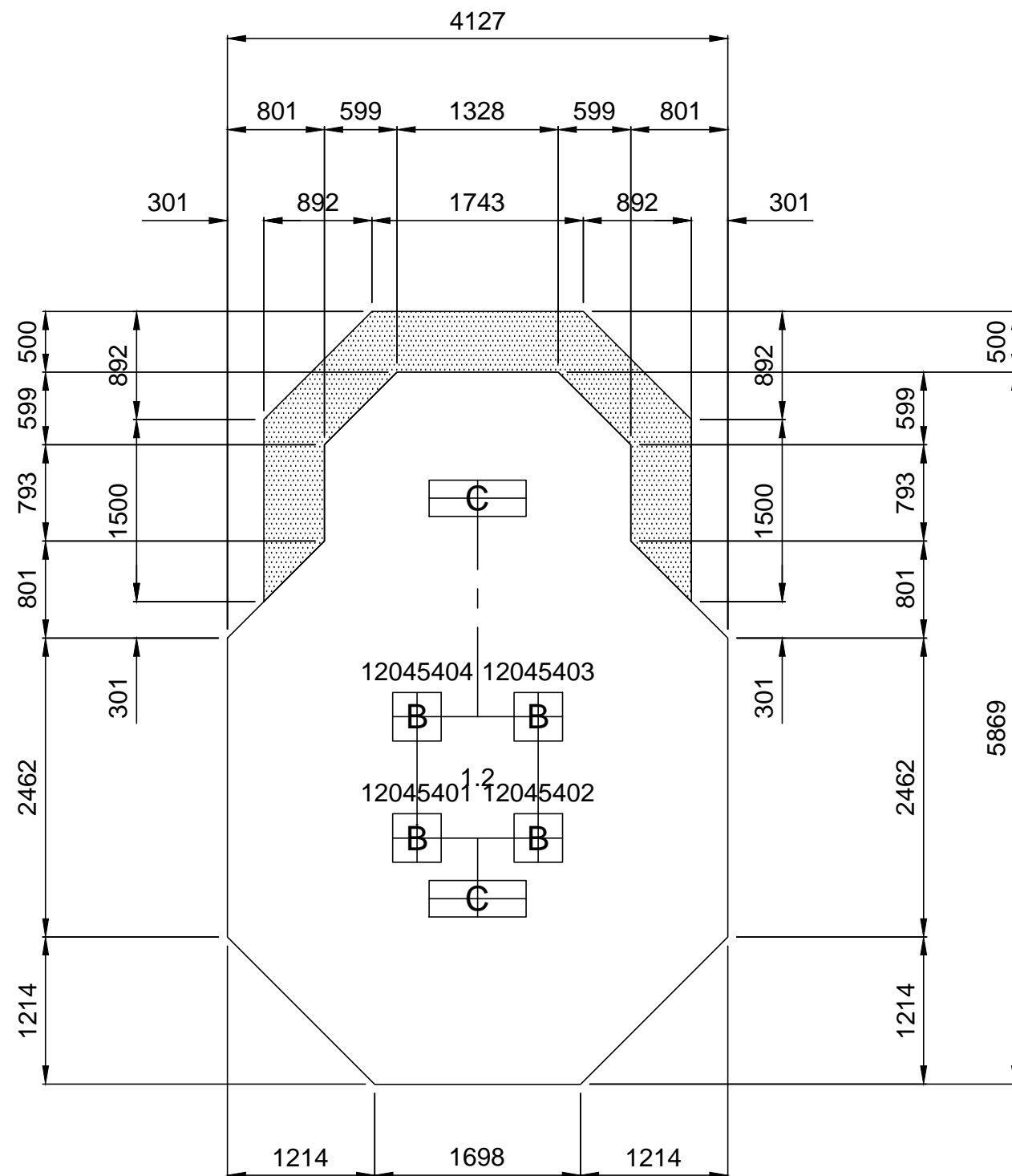


GROUND PLAN	DZW484 (1)
REV	00
DRAWN	SH
SCALE	1:50 @ A3
DATE	08.11.18
SAFETY AREA	19.5m ²
SURFACE PERIMETER	17.0lm
AREA	HIC 1.2M - 19.5m ²
HOLE A	300x300x800 DEEP
HOLE B	400x400x500 DEEP
HOLE C	300x800x800 DEEP

DO NOT SCALE THIS DRAWING
SCALE 1:50 WHEN PRINTED ON A3



PLAN SCALE 1:100



GROUND PLAN	DZW484 (2)
REV	00
DRAWN	SH
SCALE	1:50 @ A3
DATE	08.11.18
SAFETY SURFACE AREA	AREA 19.5m ²
	PERIMETER 17.0Im
	AREA HIC 1.2M - 19.5m ²
	HOLE A 300x300x800 DEEP
	HOLE B 400x400x500 DEEP
	HOLE C 300x800x800 DEEP

DO NOT SCALE THIS DRAWING
SCALE 1:50 WHEN PRINTED ON A3