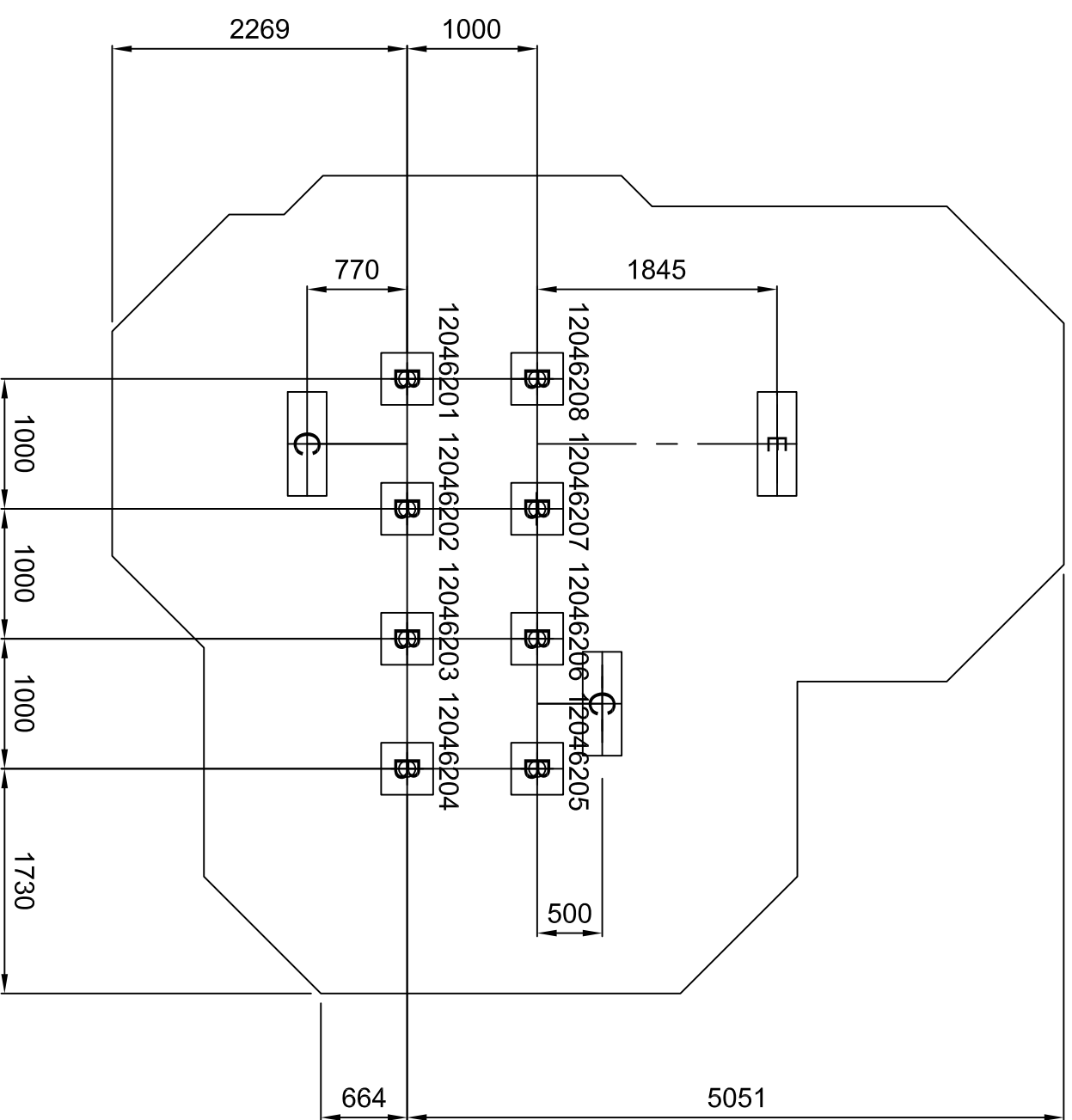
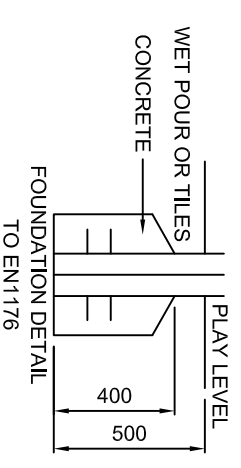


PLAN SCALE 1:100

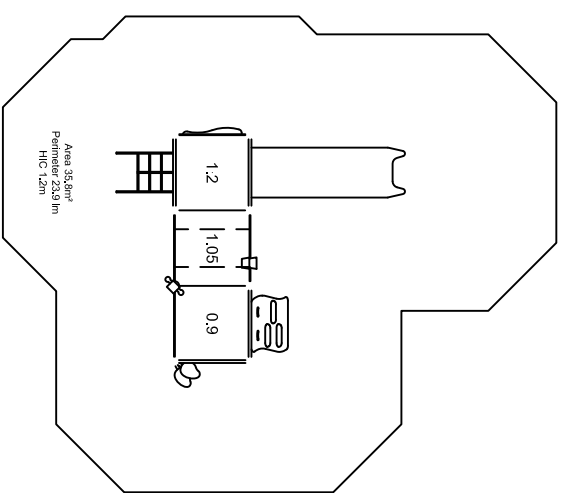


SAFETY SURFACING  
AREA 35.8m<sup>2</sup>  
PERIMETER 23.9 Im  
HIC 1.2M

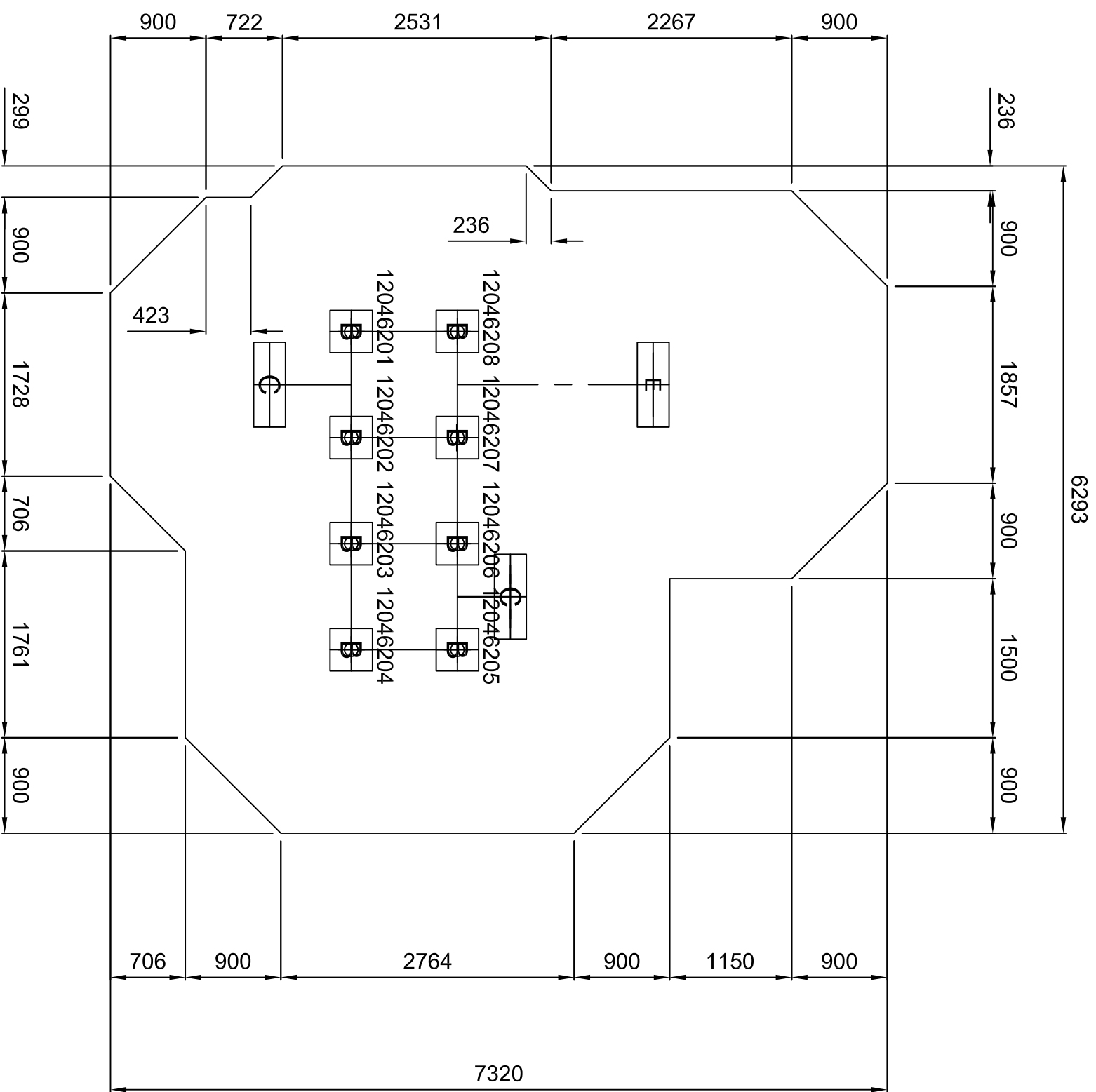
DO NOT SCALE THIS DRAWING  
SCALE 1:50 WHEN PRINTED ON A3



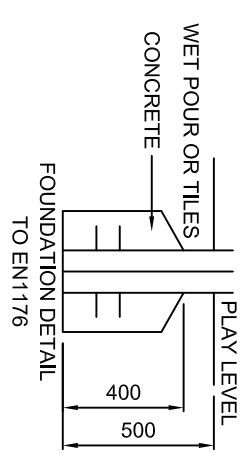
GROUND PLAN	<b>DZW462 (1)</b>
REV	00
DRAWN	IM
SCALE	1:50 @ A3
DATE	20/07/18
SAFETY SURFACE AREA	
HOLE B	400X400X500 DEEP
HOLE C	300X800X800 DEEP
HOLE E	300X800X700 DEEP



PLAN SCALE 1:100



SAFETY SURFACING  
 AREA 35.8m<sup>2</sup>  
 PERIMETER 23.91m  
 HIC 1.2M



GROUND PLAN	DZW462 (2)
REV	00
DRAWN	IM
SCALE	1:50 @ A3
DATE	20/07/18
SAFETY SURFACE AREA	
HOLE B	400X400X500 DEEP
HOLE C	300X800X800 DEEP
HOLE E	300X800X700 DEEP

DO NOT SCALE THIS DRAWING  
 SCALE 1:50 WHEN PRINTED ON A3