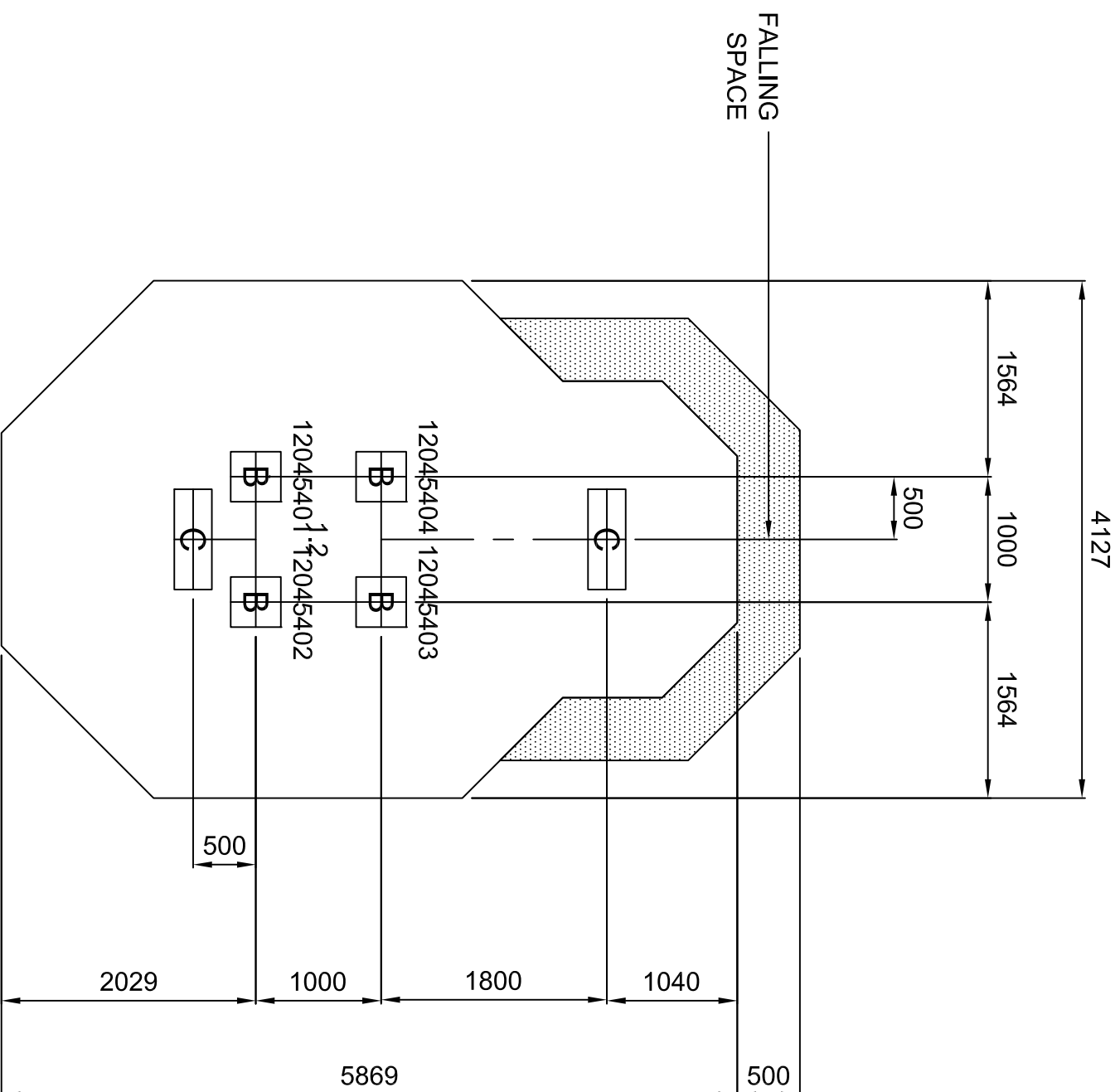
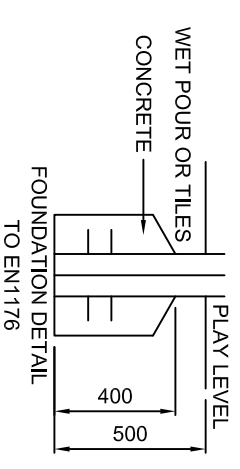


PLAN SCALE 1:100



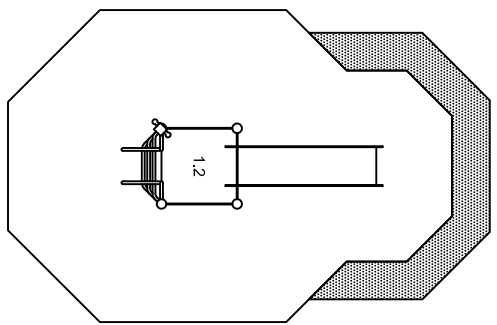
SAFETY SURFACING  
 AREA 19.5m<sup>2</sup>  
 PERIMETER 17.01m  
 HIC 1.2M - 19.5m<sup>2</sup>



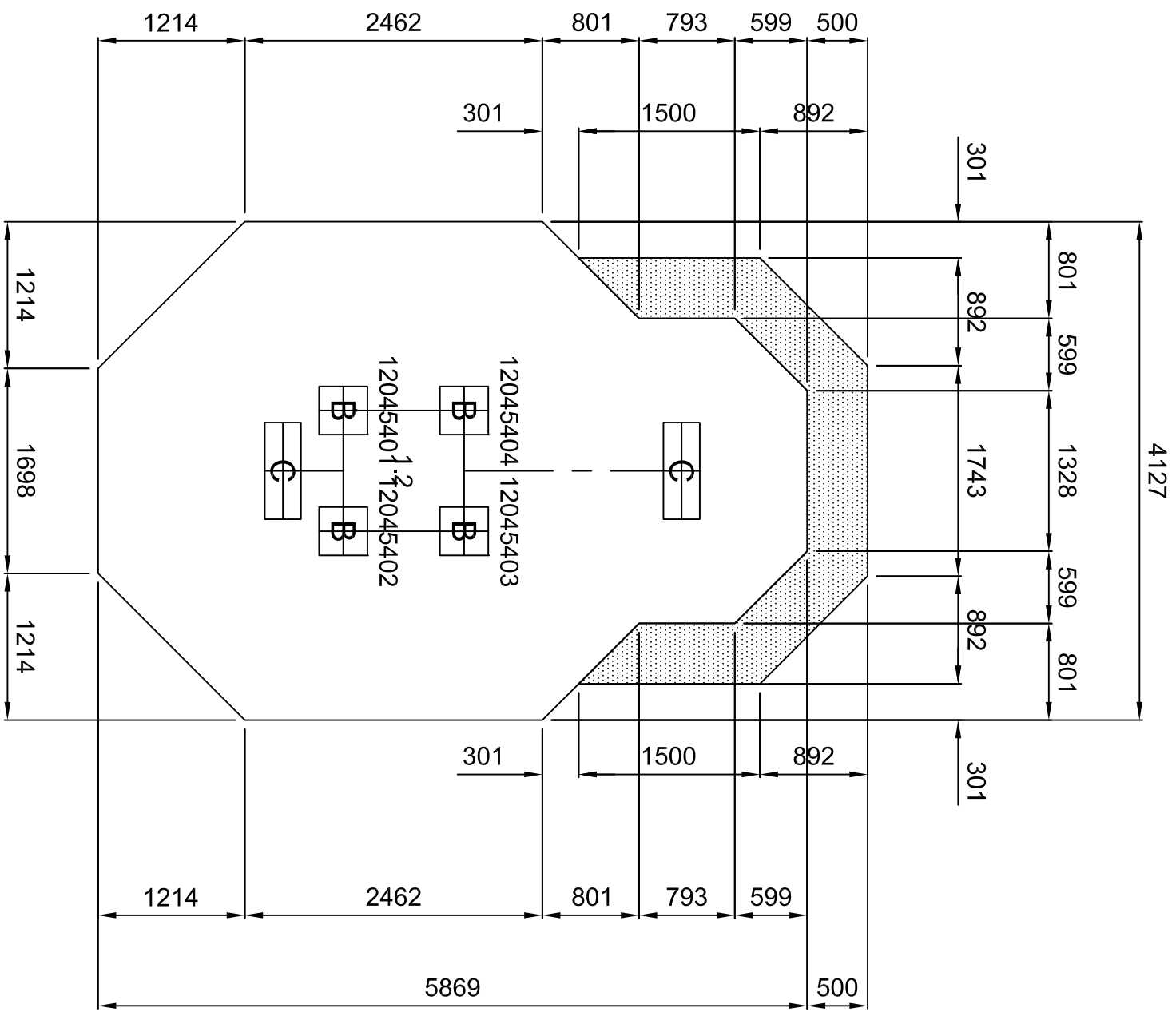
GROUND PLAN **DZW454 (1)**

REV	01
DRAWN	AMG
SCALE	1:50 @ A3
DATE	03.08.15
SAFETY SURFACE AREA	
HOLE A	300x300x800 DEEP
HOLE B	400x400x500 DEEP
HOLE C	300x800x800 DEEP

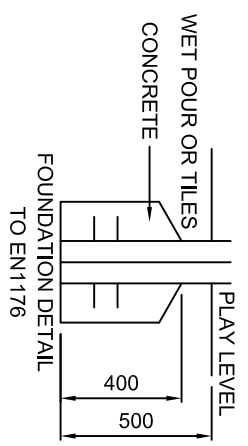
DO NOT SCALE THIS DRAWING  
 SCALE 1:50 WHEN PRINTED ON A3



PLAN SCALE 1:100



SAFETY SURFACING  
 AREA 19.5m<sup>2</sup>  
 PERIMETER 17.0lm  
 HIC 1.2M - 19.5m<sup>2</sup>



GROUND PLAN	<b>DZW454 (2)</b>
REV	01
DRAWN	AMG
SCALE	1:50 @ A3
DATE	03.08.15
SAFETY SURFACE AREA	
HOLE A	300x300x800 DEEP
HOLE B	400x400x500 DEEP
HOLE C	300x800x800 DEEP



DO NOT SCALE THIS DRAWING  
 SCALE 1:50 WHEN PRINTED ON A3