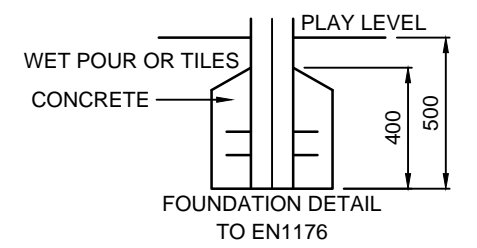


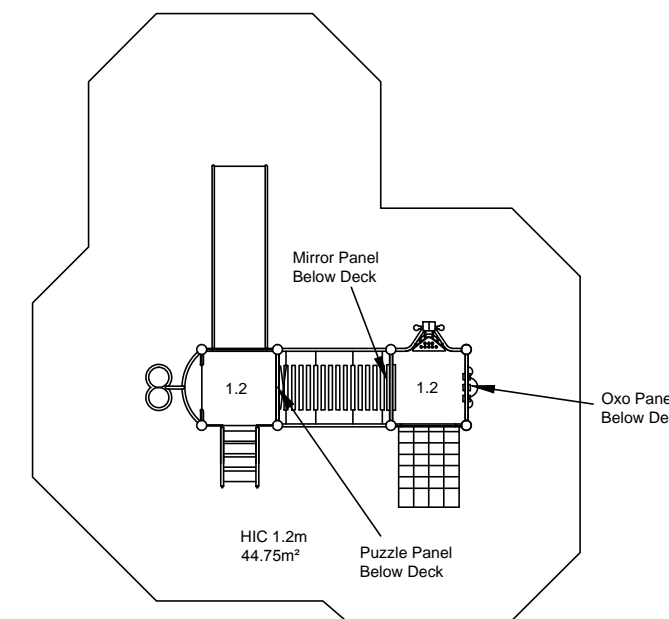
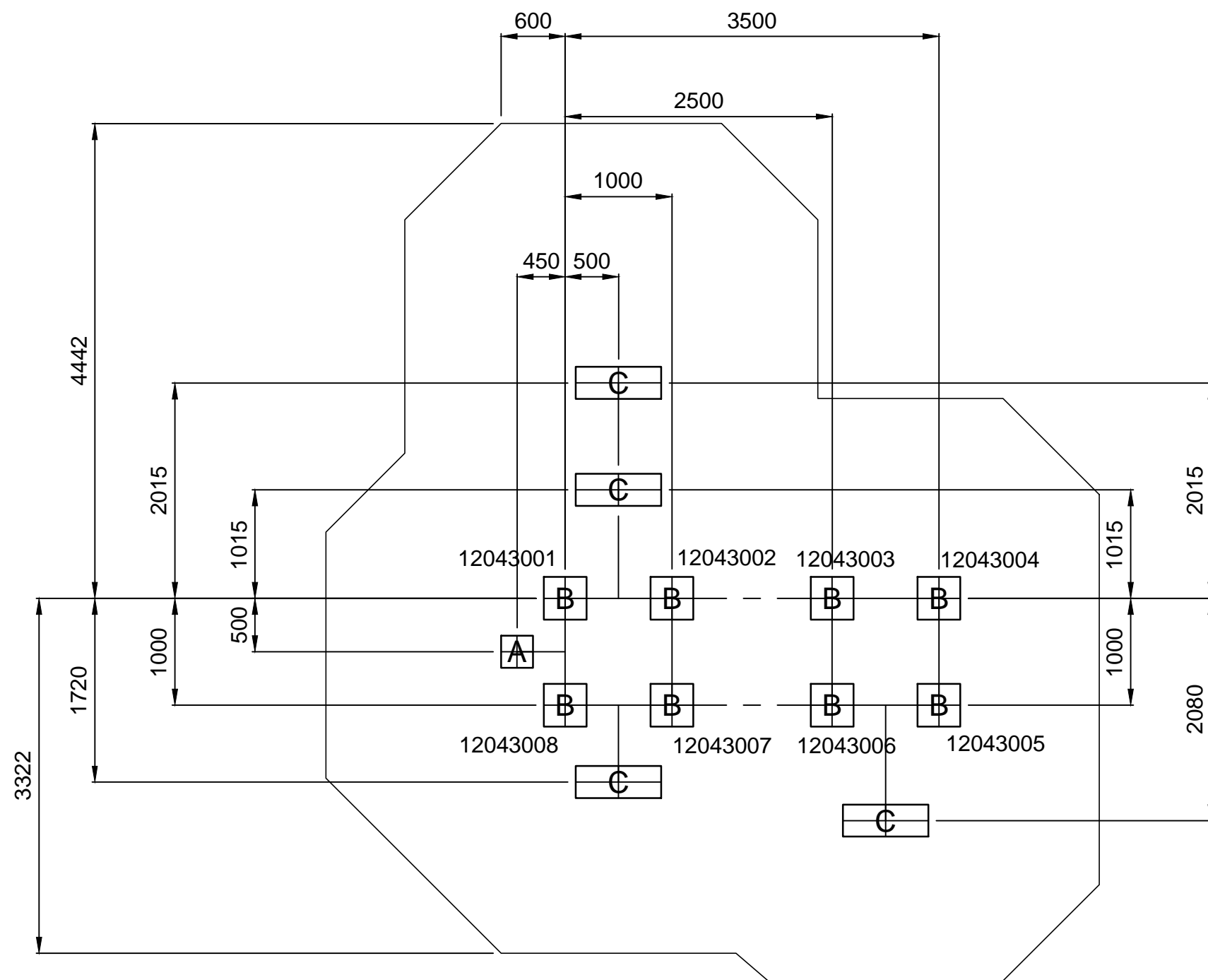
PLAN SCALE 1:100



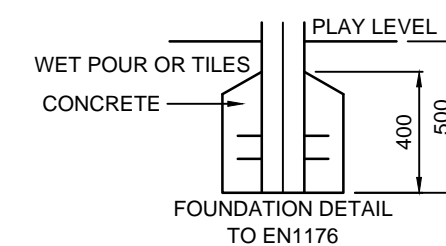
DO NOT SCALE THIS DRAWING
SCALE 1:50 WHEN PRINTED ON A3

SAFETY SURFACING
REQUIREMENTS TO EN 1176
PERIMETER 26.85M
AREA 44.75m²
HIC 1.2M

GROUND PLAN	DZW430(2)
REV	00
DRAWN	IM
SCALE	1:50 @ A3
DATE	20.09.13
SAFETY SURFACE AREA	
HOLE A	300x300x800 DEEP
HOLE B	400x400x500 DEEP
HOLE C	300x800x800 DEEP



PLAN SCALE 1:100



DO NOT SCALE THIS DRAWING
SCALE 1:50 WHEN PRINTED ON A3

SAFETY SURFACING
REQUIREMENTS TO EN 1176
PERIMETER 26.85M
AREA 44.75m²
HIC 1.2M

GROUND PLAN	DZW430(1)
REV	00
DRAWN	IM
SCALE	1:50 @ A3
DATE	20.09.13
SAFETY SURFACE AREA	
HOLE A	300x300x800 DEEP
HOLE B	400x400x500 DEEP
HOLE C	300x800x800 DEEP