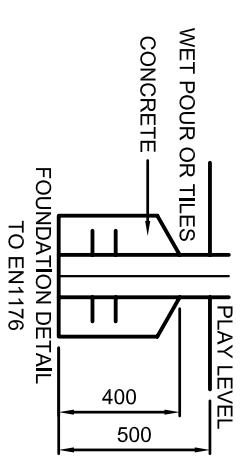
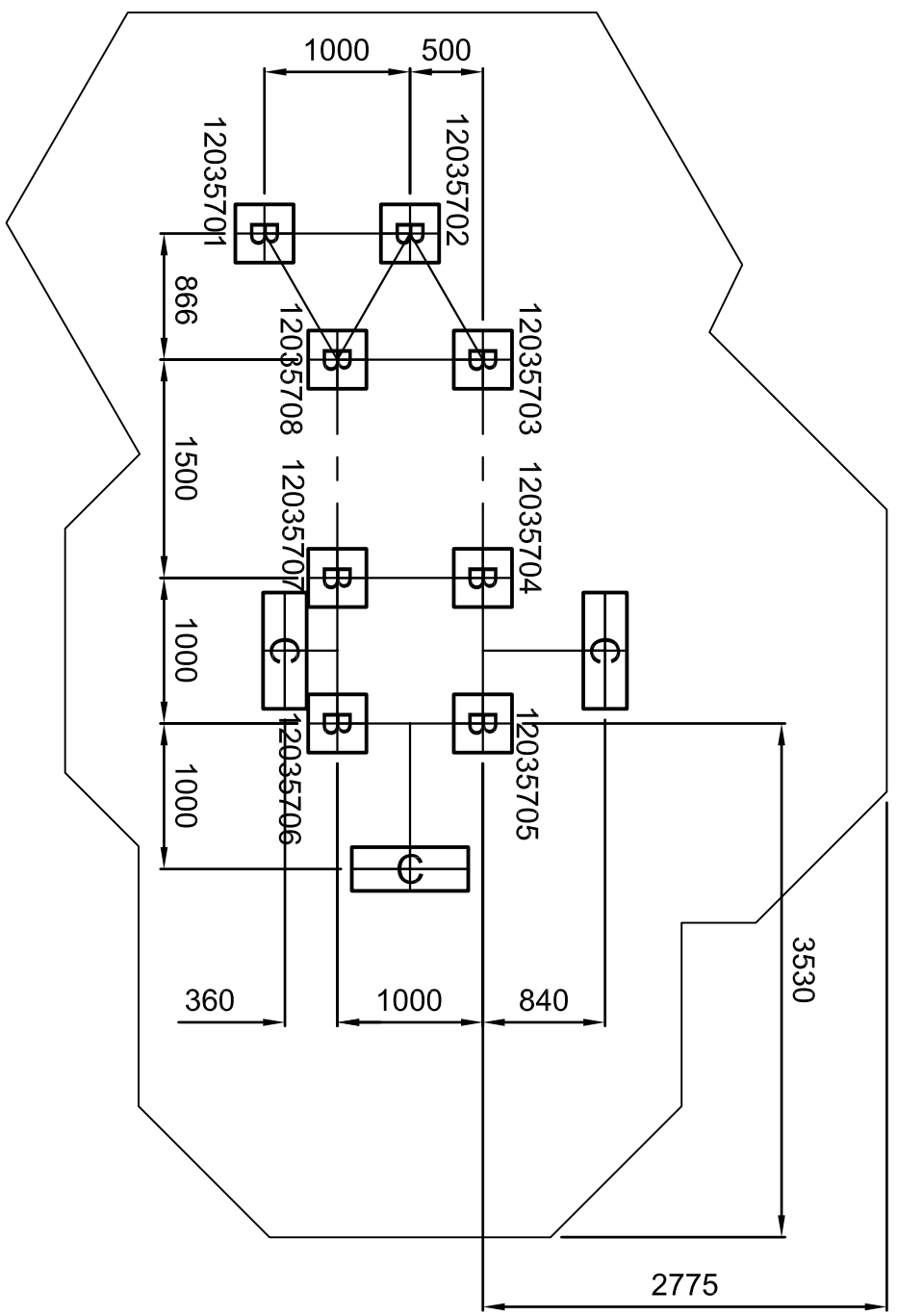


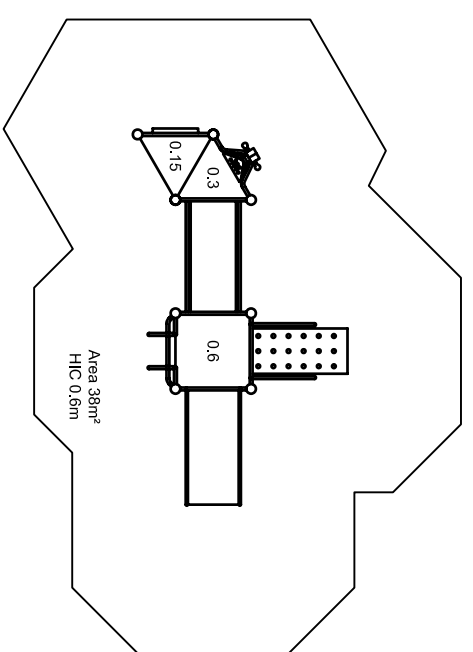
PLAN SCALE 1:100



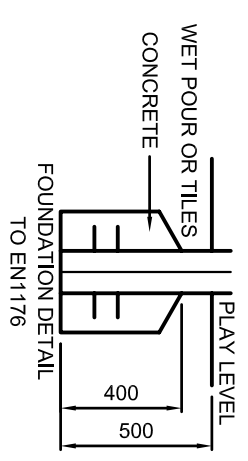
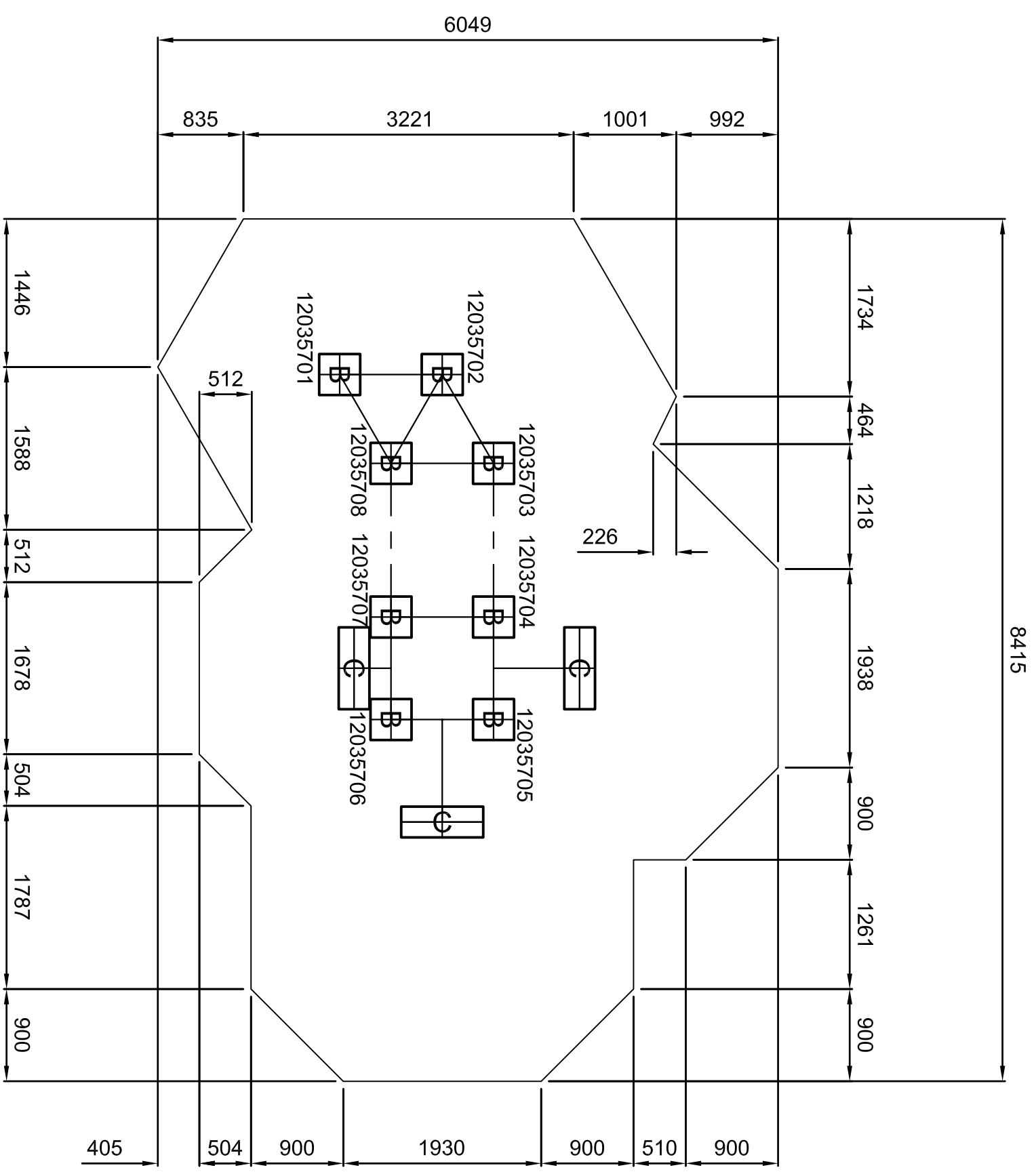
SAFETY SURFACING
REQUIREMENTS TO EN 1176
PERIMETER 25.5M
AREA 38M²
HIC 0.6M

DO NOT SCALE THIS DRAWING
SCALE 1:50 WHEN PRINTED ON A3

GROUND PLAN	DZW357(1)
REV	00
DRAWN	IM
SCALE	1:50 @ A3
DATE	26.08.08
SAFETY SURFACE AREA	
HOLE A	300x300x800 DEEP
HOLE B	400x400x500 DEEP
HOLE C	300x800x800 DEEP



PLAN SCALE 1:100



DO NOT SCALE THIS DRAWING
SCALE 1:50 WHEN PRINTED ON A3

SAFETY SURFACING
REQUIREMENTS TO EN 1176
PERIMETER 25.5M
AREA 38M²
HIC 0.6M

GROUND PLAN	DZW357(2)
REV	00
DRAWN	IM
SCALE	1:50 @ A3
DATE	26.08.08
SAFETY SURFACE AREA	
HOLE A	300X300X800 DEEP
HOLE B	400X400X500 DEEP
HOLE C	300X800X800 DEEP