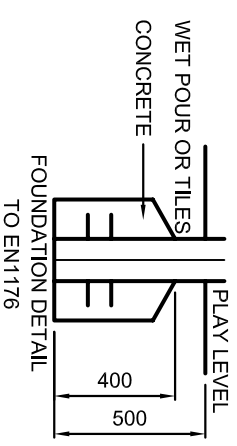
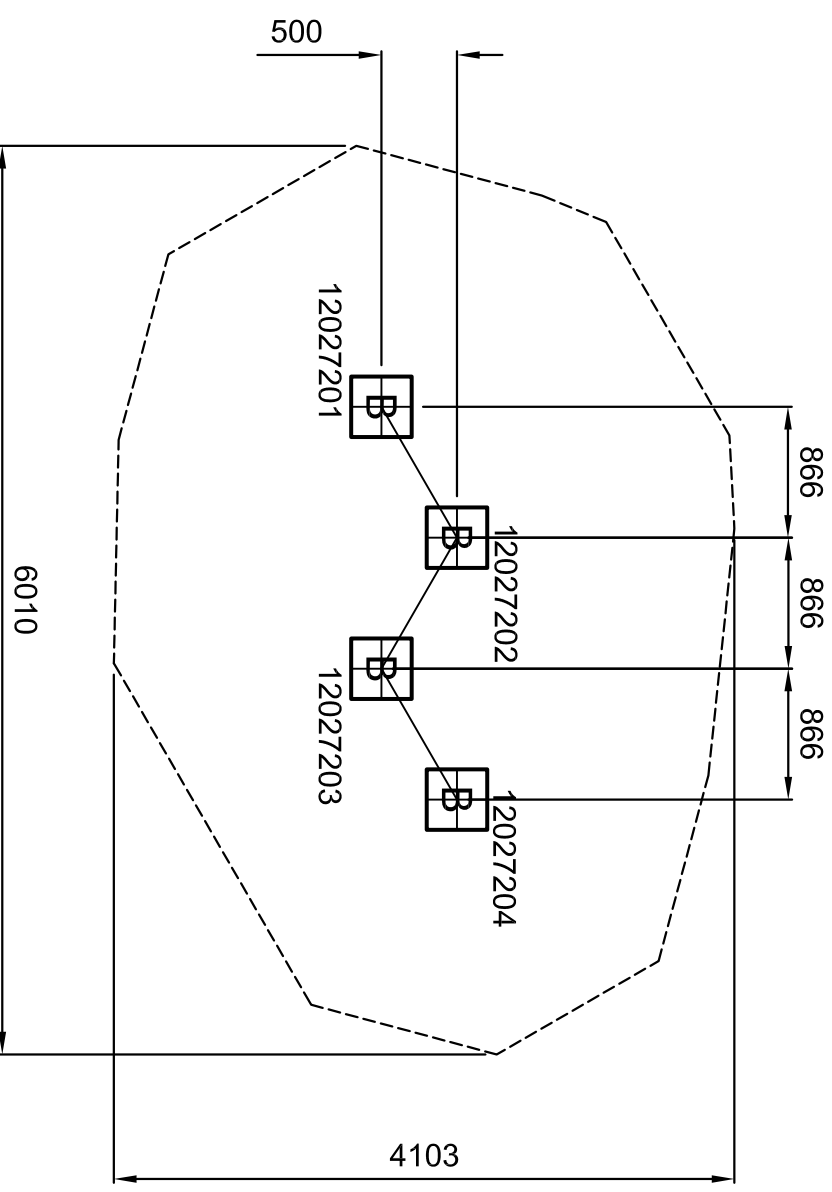


PLAN SCALE 1:100



SAFETY SURFACING
NOT REQUIRED

DO NOT SCALE THIS DRAWING
SCALE 1:50 WHEN PRINTED ON A3

GROUND PLAN	DZW272(1)
REV	02
DRAWN	JPC
SCALE	1:50 @ A3
DATE	19/04/06
SAFETY SURFACE AREA	
HOLE A	300x300x800 DEEP
HOLE B	400x400x500 DEEP
HOLE C	300x800x800 DEEP