

**Good design
for children**

SutcliffePlay

**Waggon Lane
Upton Pontefract**

West Yorkshire WF9 1JS

Telephone +44 (0)1977 653200

Facsimile +44 (0)1977 653222

info@ sutcliffeplay.co.uk

www. sutcliffeplay.co.uk

Toddlerzone

Installation Instructions

DZW069

DZW069

Toddlerzone Unit Installation Instructions

Good design
for children
SutcliffePlay

- 1 Check using the Parts List that none of the components are missing.
- 2 Plan the final position of the play equipment ensuring there is sufficient space.
- 3 Stainless steel slides should face north or be shaded to prevent over heating. Slide runouts should be inclined downwards by approximately 2 degrees for drainage purposes.
- 4 Excavate the foundation holes in accordance with the plan.
- 5 Sort and identify parts before assembly. Each leg is numbered to correspond with the foundation plan.
- 6 Position 2 off 300 long spragging irons into the hoes provided in each post upright and stand in the foundation holes. Assemble the decks at the positions marked on the posts. Do not tighten the fixing bolts until all the activities have been assembled.
- 7 Assemble the activities onto the posts. Leave fixing bolts loose until all the activities have been assembled.
- 8 Fill the foundation holes to the required depth with concrete.
- 9 Do not allow the equipment to be used until the concrete has set (2 - 3 days) and the required safety surfacing has been installed.
- 10 Tighten all fixing bolts.
- 11 Follow the maintenance instructions supplied.

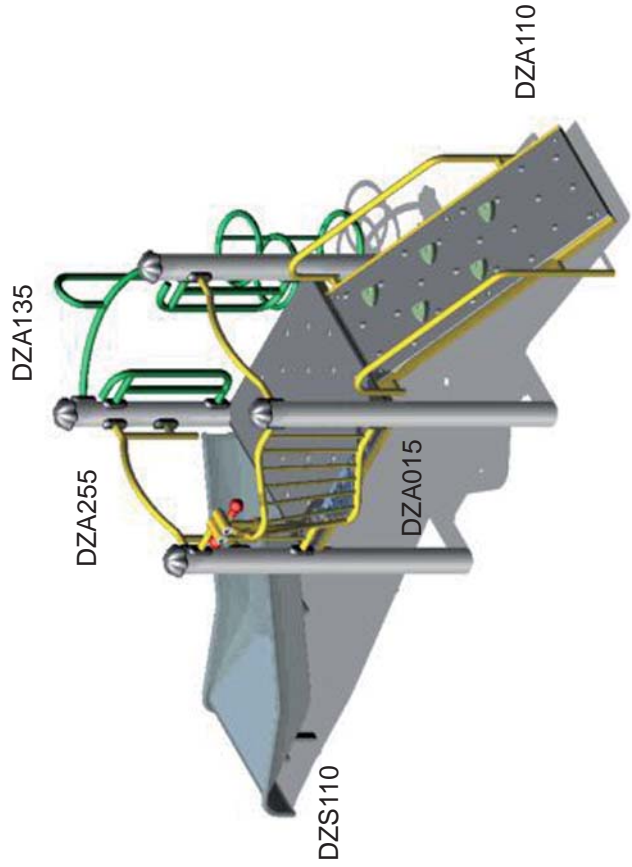
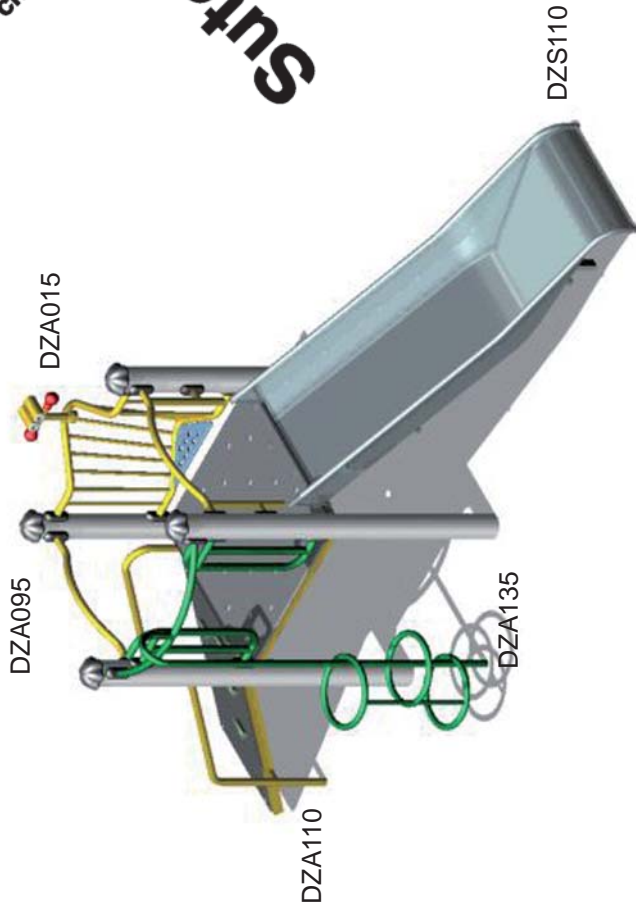
During installation care must be taken to prevent hazards to children.
Care should be taken if conditions are abnormal.

DZW069

Toddlerzone Unit Parts list

Good design
for children

Sutcliffe Play



Ref	Description	Qty
DZD100	Square deck	1
DZS110	0.9M Slide	1
DZA255	Chute Entrance	1
DZA135	0.9M Ring climber	1
DZA005	D Rails	2
DZA015	Binocular Rail	1
DZA110	0.9M Climb Up Ramp	1
DZA095	Arch Top Rail	1
DPW069	Posts (set of 4)	1 set
DZU069F	Loose fixings	1 set

DZW069

Toddlerzone Unit Maintenance Instructions

NOTE

The warranty is invalidated if these instructions are not followed.

All wood needs annual inspection and retreatment where required.

Recommended Regular Inspection and Maintenance

Check stability of structure, tighten connections if required.

Check all uprights at ground level for corrosion and/or rot. Replace any defective parts.

Check all painted elements for damage, rub down and repaint or replace as required.

Check chain/ropework assemblies for wear and damage, replace if required.

Check rotating and pivot points for wear and smooth running lubricate or replace if required.

Check rubber parts for wear and/or damage, replace if required.

Check tension cables, adjust if required.

Check wear of cables, replace if required.

Check slide chutes for smoothness and any foreign elements, remove any found.

Check rubber safety surfaces for damage and poor performance, repair or replace if required.

Check loose fill safety surfaces, remove any foreign elements, rake level and top up if required.

Disposal Instructions

All components should be broken down into categories of:-

- 1 **Mild Steel** - all Swing Frames, Playzone, Toddlerzone, Teenzone activities, Deck Frames and Springie Frames.
- 2 **Stainless Steel** - all Slides, Mirror Panels.
- 3 **Aluminium** - all Playzone and Toddlerzone Posts.
- 4 **Galvanised Steel** - all Chains and Teenzone Posts.
- 5 **Moulded Rubber Products without steel inserts** - all Toddlerzone Caps and edge details.
- 6 **Timber** - all natural timber, plywood, and MDF panels.

Wherever possible these materials should be taken to specialist recycling organisations and recycled.

In some cases where composite materials are used, then disposal at land fill sites is the only alternative such as:

- 7 **Moulded Rubber Products encasing steel inserts** - all Swing Seats, Deck Tops, Duo/Dizzy Disc Tops.
- 8 **High Pressure Laminate** - all Toddlerzone, Playzone and Teenzone Panels.
- 9 **Steel Core Polypropylene Rope** - all Scramble Nets, Space Nets, Playzone/Toddlerzone Ropes.

Good design
for children
SutcliffePlay

	Interval Days				
	7	14	28	56	365
Check stability of structure, tighten connections if required.	<input type="checkbox"/>	<input type="checkbox"/>	<input type="checkbox"/>	<input checked="" type="checkbox"/>	<input type="checkbox"/>
Check all uprights at ground level for corrosion and/or rot. Replace any defective parts.	<input type="checkbox"/>	<input type="checkbox"/>	<input type="checkbox"/>	<input type="checkbox"/>	<input checked="" type="checkbox"/>
Check all painted elements for damage, rub down and repaint or replace as required.	<input type="checkbox"/>	<input type="checkbox"/>	<input type="checkbox"/>	<input checked="" type="checkbox"/>	<input type="checkbox"/>
Check chain/ropework assemblies for wear and damage, replace if required.	<input type="checkbox"/>	<input checked="" type="checkbox"/>	<input type="checkbox"/>	<input type="checkbox"/>	<input type="checkbox"/>
Check rotating and pivot points for wear and smooth running lubricate or replace if required.	<input type="checkbox"/>	<input type="checkbox"/>	<input checked="" type="checkbox"/>	<input type="checkbox"/>	<input type="checkbox"/>
Check rubber parts for wear and/or damage, replace if required.	<input type="checkbox"/>	<input type="checkbox"/>	<input checked="" type="checkbox"/>	<input type="checkbox"/>	<input type="checkbox"/>
Check tension cables, adjust if required.	<input type="checkbox"/>	<input type="checkbox"/>	<input checked="" type="checkbox"/>	<input type="checkbox"/>	<input type="checkbox"/>
Check wear of cables, replace if required.	<input type="checkbox"/>	<input type="checkbox"/>	<input checked="" type="checkbox"/>	<input type="checkbox"/>	<input type="checkbox"/>
Check slide chutes for smoothness and any foreign elements, remove any found.	<input type="checkbox"/>	<input type="checkbox"/>	<input checked="" type="checkbox"/>	<input type="checkbox"/>	<input type="checkbox"/>
Check rubber safety surfaces for damage and poor performance, repair or replace if required.	<input type="checkbox"/>	<input type="checkbox"/>	<input type="checkbox"/>	<input checked="" type="checkbox"/>	<input type="checkbox"/>
Check loose fill safety surfaces, remove any foreign elements, rake level and top up if required.	<input type="checkbox"/>	<input type="checkbox"/>	<input checked="" type="checkbox"/>	<input type="checkbox"/>	<input type="checkbox"/>