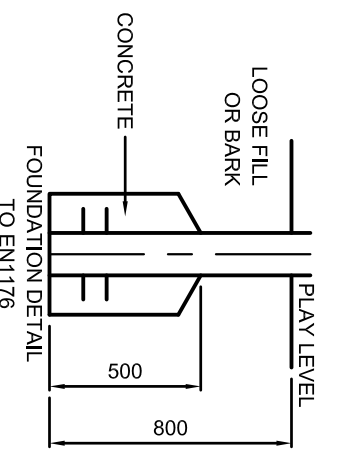
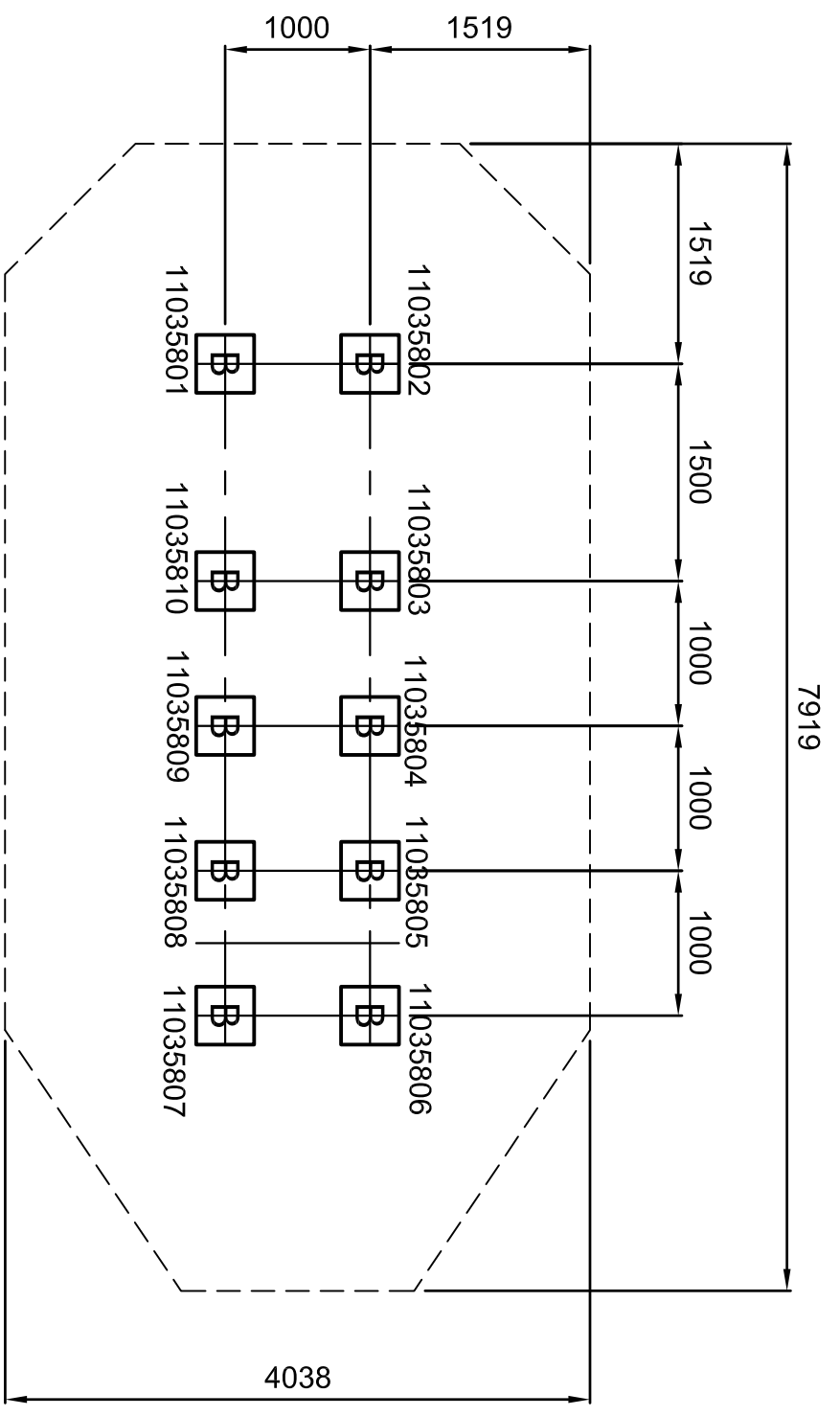


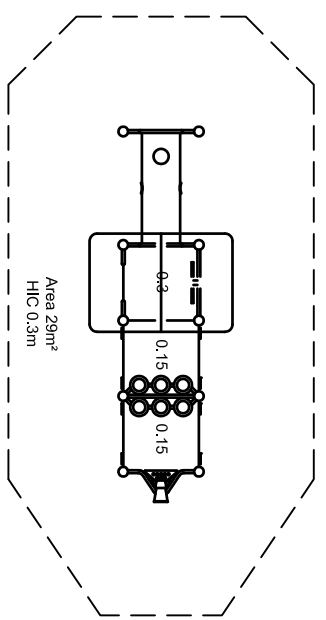
PLAN SCALE 1:100



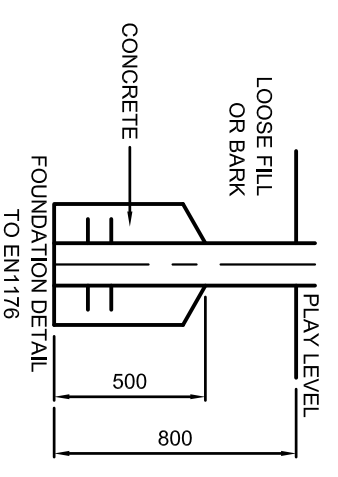
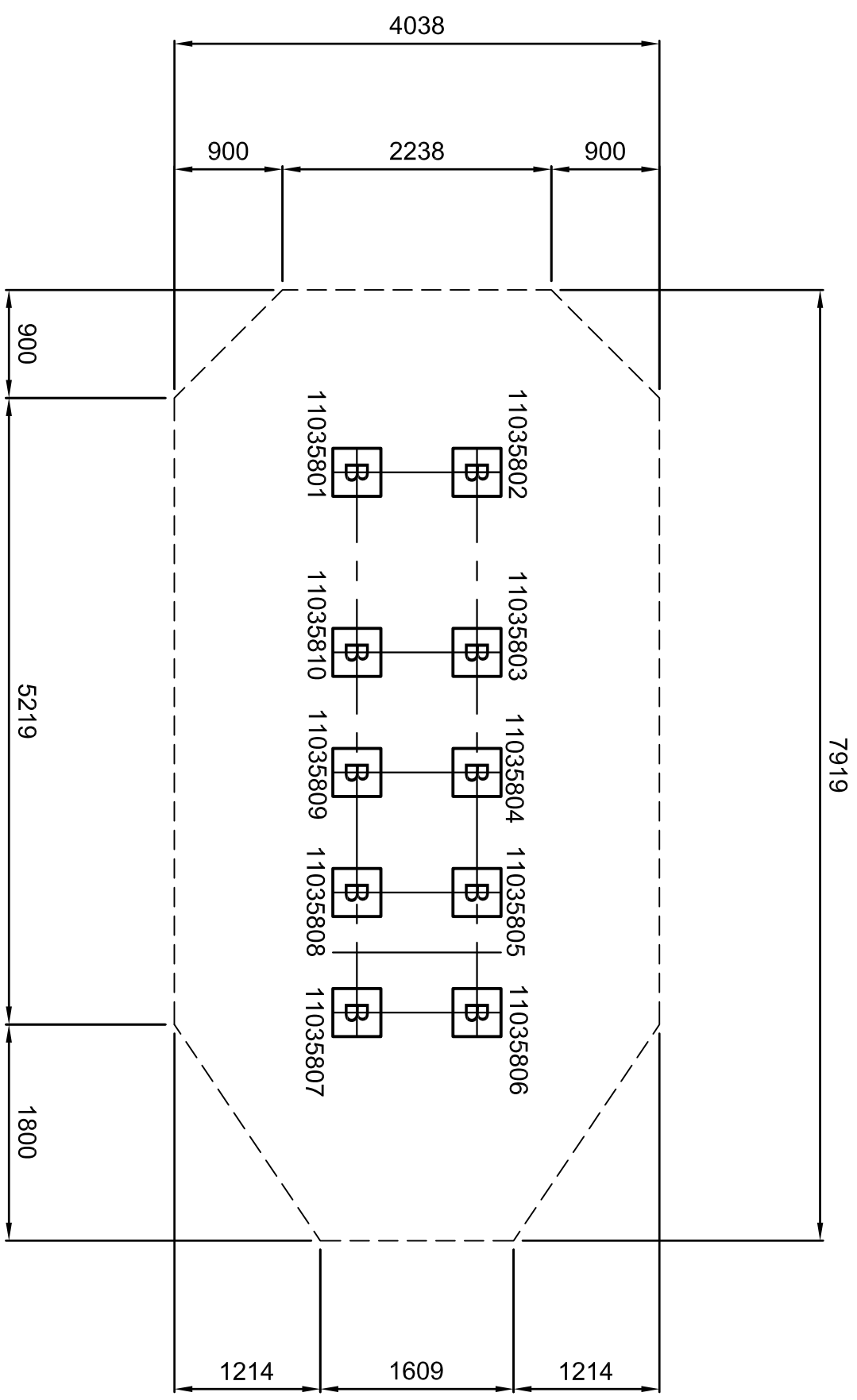
SAFETY SURFACING  
REQUIREMENTS TO EN 1176  
PERIMETER 21M  
AREA 29M<sup>2</sup>  
HIC 0.3M

DO NOT SCALE THIS DRAWING  
SCALE 1:50 WHEN PRINTED ON A3

GROUND PLAN	DZU358(1)
REV	01
DRAWN	IM
SCALE	1:50 @ A3
DATE	20.10.08
SAFETY SURFACE AREA	
HOLE B 400X400X800 DEEP	



PLAN SCALE 1:100



DO NOT SCALE THIS DRAWING  
SCALE 1:50 WHEN PRINTED ON A3

SAFETY SURFACING  
REQUIREMENTS TO EN 1176  
PERIMETER 21M  
AREA 29M<sup>2</sup>  
HIC 0.3M

GROUND PLAN	DZU358(2)
REV	01
DRAWN	IM
SCALE	1:50 @ A3
DATE	20.10.08
SAFETY SURFACE AREA	
HOLE B 400X400X800 DEEP	