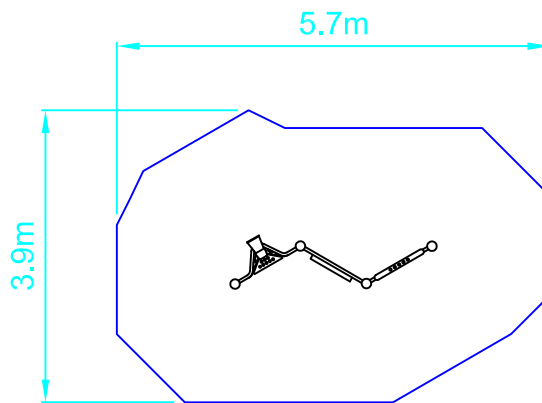


# Toddlerzone Play Fence

## DZU272/DZW272

Dwn AG Scale 1:100@A4 10.10.08

Good design  
for children  
**SutcliffePlay**



NO SAFETY SURFACING REQUIRED  
MINIMUM USE ZONE

UNIT INCLUDES		QTY
DZA340	Mini megaphone rail	1
DZA085	Mirror panel	1
PZB400	Music pipes	1
POSTS	6.7m	

### PRODUCT SPECIFICS

Age	
Range	2 - 6 years
Play Type	Intellectual, social, imaginative

DO NOT SCALE FROM THIS DRAWING  
THIS DRAWING MUST NOT BE USED  
FOR INSTALLATION PURPOSES.

This unit is suitable for grass installation without safety surfacing in the UK if it is sited in a low usage playground. However wear pads of impact absorbing surfacing may be required under areas that sustain intensive use e.g. under slide runouts, fireman's poles and access and exit points, taking care that no trip points or hard edges occur.