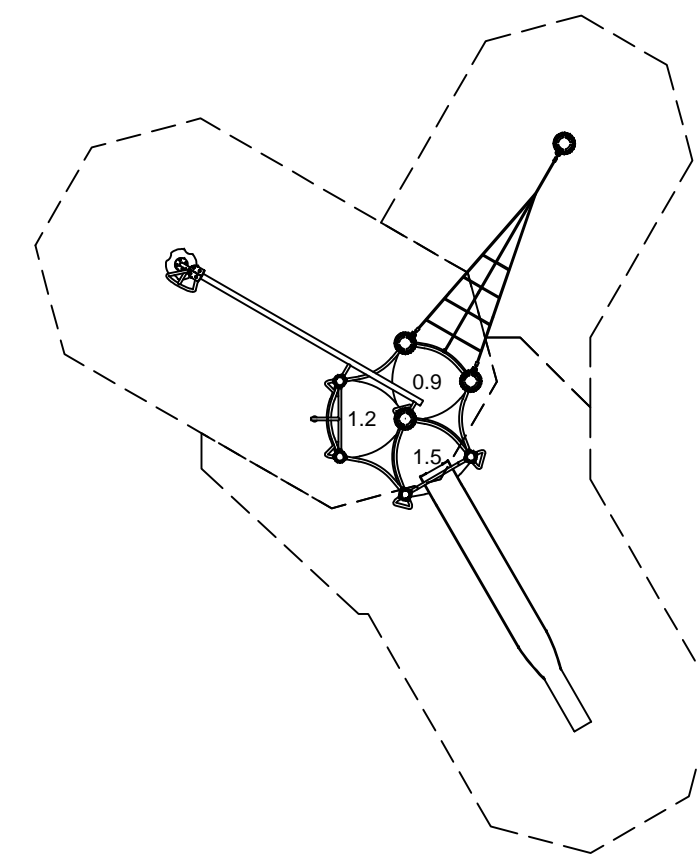
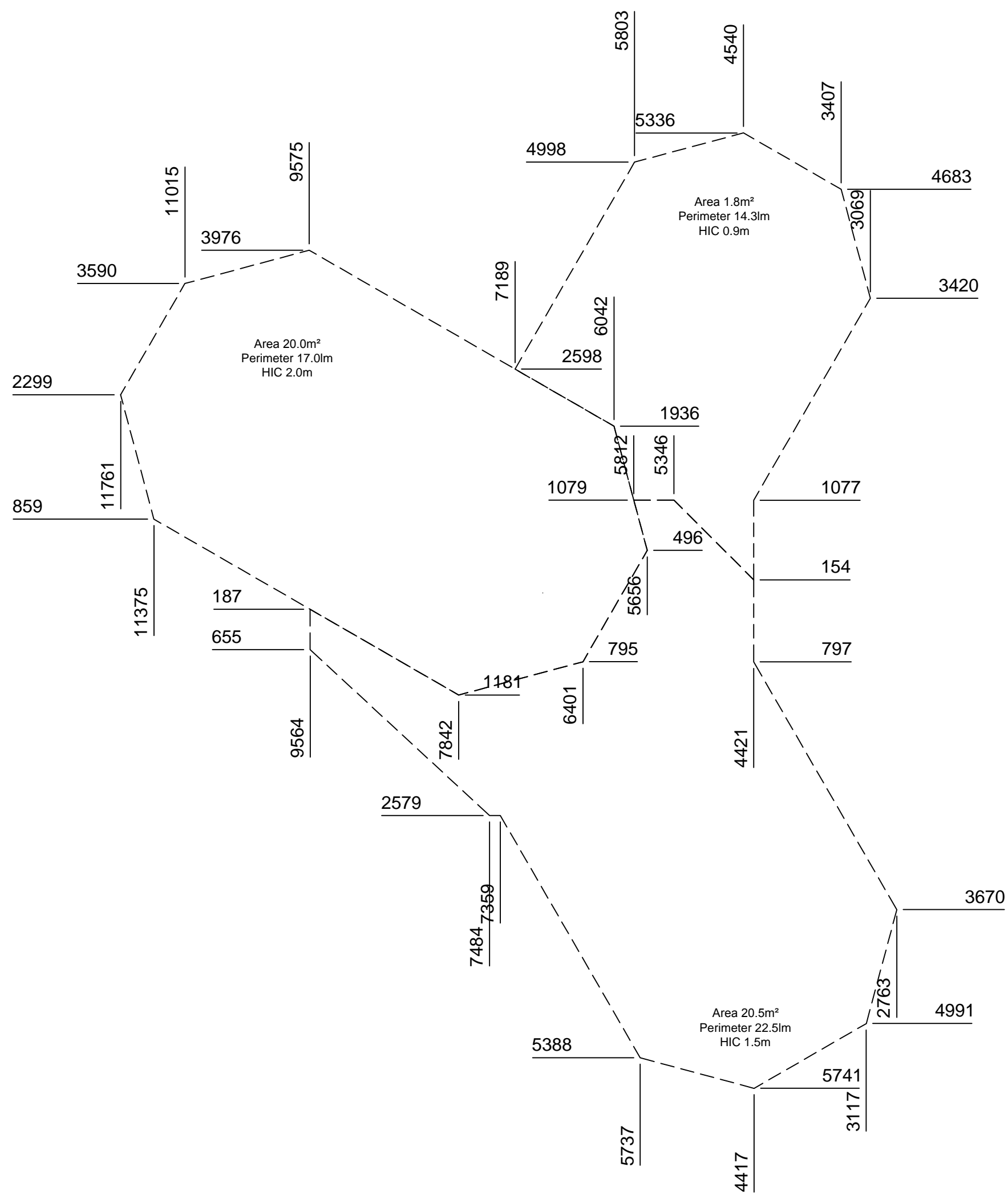


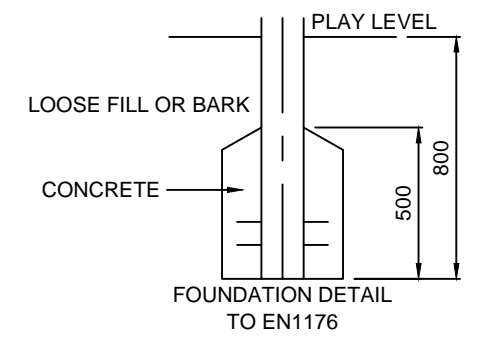
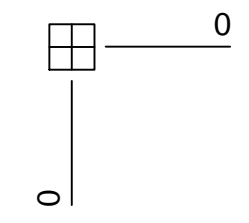
SAFETY SURFACING
AREA 52.3m²
PERIMETER 34.8lm
HIC 2.0M - 20.0M²
HIC 1.5M - 20.5m²
HIC 0.9M - 11.8M²

GROUND PLAN	CZU228 (1)
REV	00
DRAWN	IM
SCALE	1:50 @ A2
DATE	10.11.16
SAFETY SURFACE AREA	
HOLE A	300x300x800 DEEP
HOLE B	400x400x800 DEEP
HOLE F	500x500x800 DEEP
HOLE G	1550x550x800 DEEP

DO NOT SCALE THIS DRAWING
SCALE 1:50 WHEN PRINTED ON A2



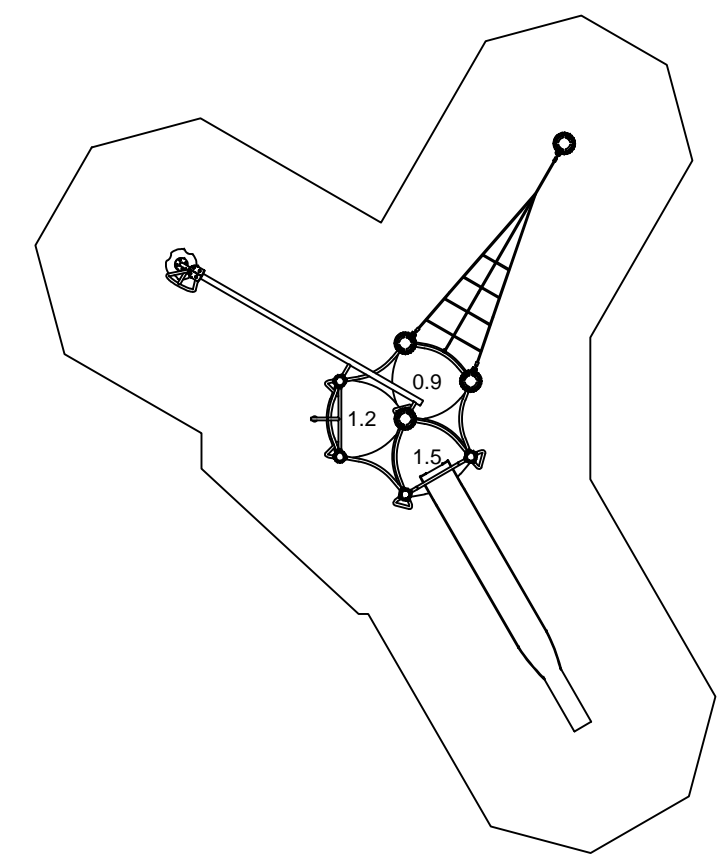
PLAN SCALE 1:100



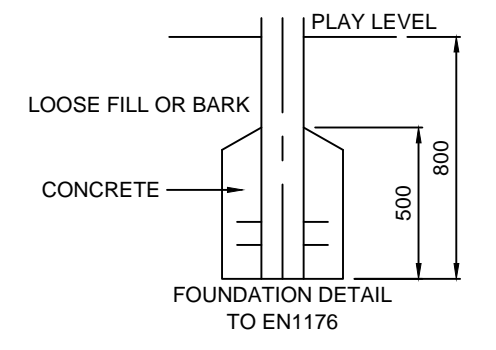
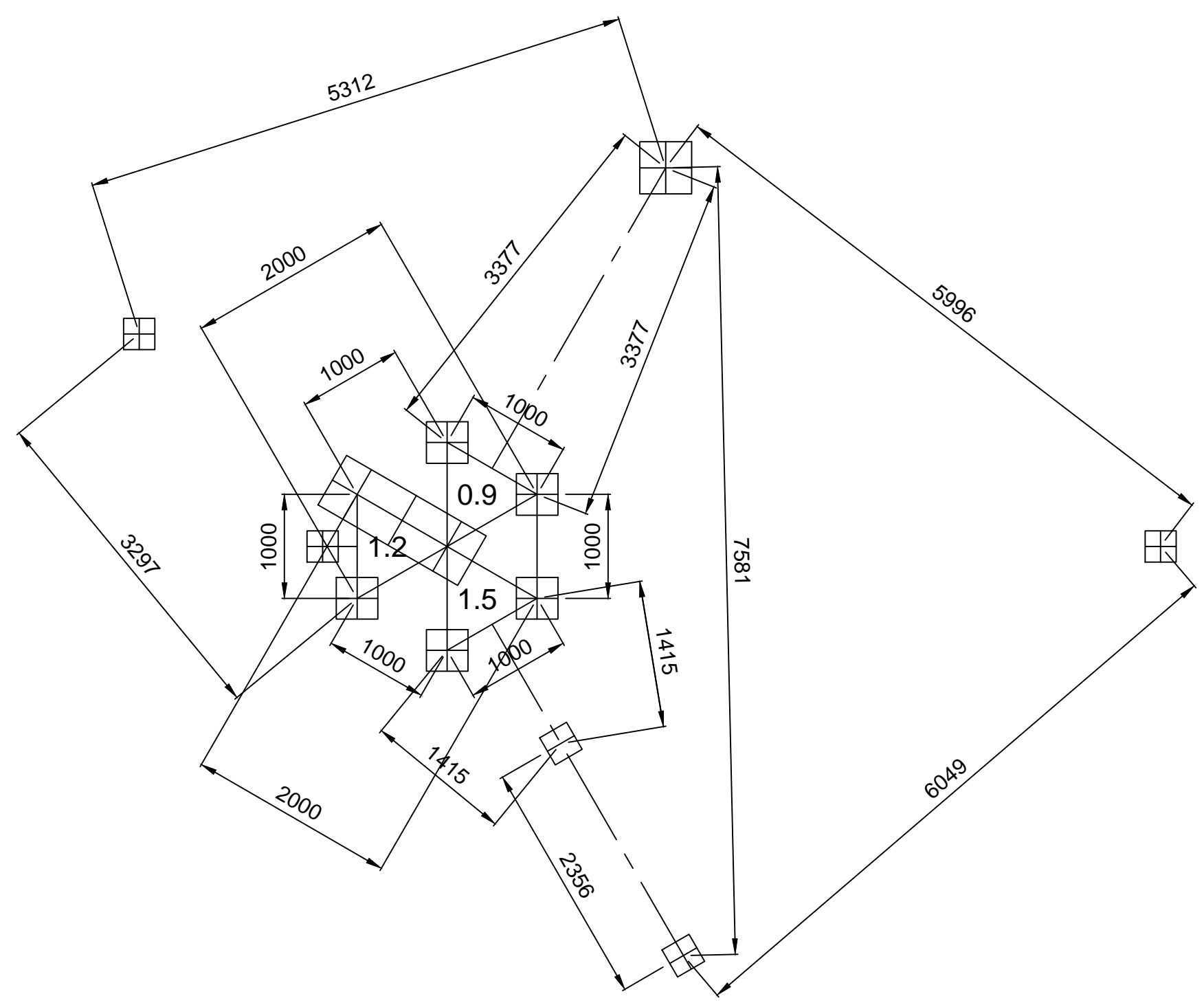
DO NOT SCALE THIS DRAWING
SCALE 1:50 WHEN PRINTED ON A2

SAFETY SURFACING
AREA 52.3m²
PERIMETER 34.8m
HIC 2.0M - 20.0M²
HIC 1.5M - 20.5m²
HIC 0.9M - 11.8M²

GROUND PLAN	CZU228 (2)
REV	00
DRAWN	IM
SCALE	1:50 @ A2
DATE	10.11.16
SAFETY SURFACE AREA	
HOLE A 300x300x800 DEEP	
HOLE B 400x400x800 DEEP	
HOLE F 500x500x800 DEEP	
HOLE G 1550x550x800 DEEP	



PLAN SCALE 1:100



SAFETY SURFACING
AREA 52.3m²
PERIMETER 34.8m
HIC 2.0M - 20.0M²
HIC 1.5M - 20.5m²
HIC 0.9M - 11.8M²

GROUND PLAN	CZU228 (3)
REV	00
DRAWN	IM
SCALE	1:50 @ A2
DATE	10.11.16
SAFETY SURFACE AREA	
	HOLE A 300x300x800 DEEP
	HOLE B 400x400x800 DEEP
	HOLE F 500x500x800 DEEP
	HOLE G 1550x550x800 DEEP

DO NOT SCALE THIS DRAWING
SCALE 1:50 WHEN PRINTED ON A2