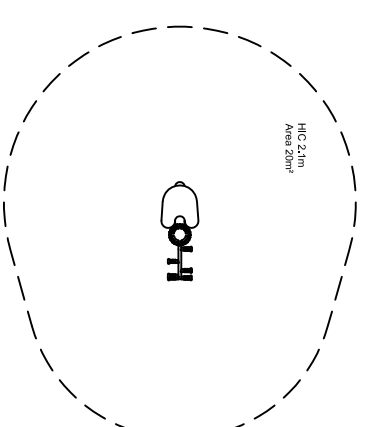
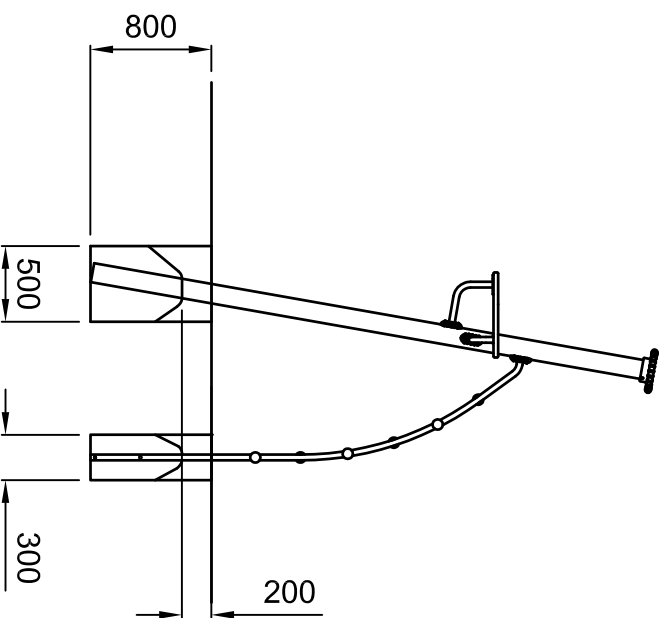
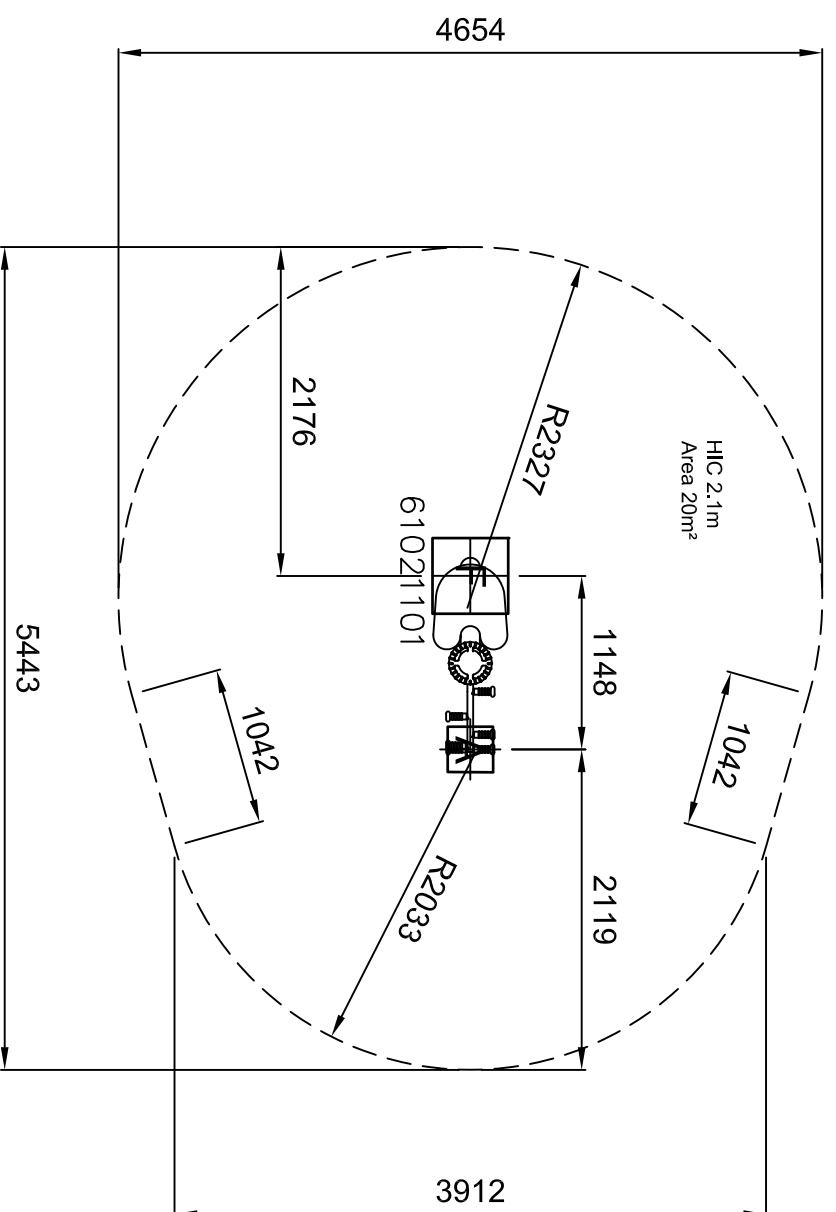


DO NOT SCALE THIS DRAWING
SCALE 1:50 WHEN PRINTED ON A3



PLAN SCALE 1:100



SAFETY SURFACING
REQUIREMENTS TO EN 1176
PERIMETER 16.0M
HIC 2.1M
TOTAL AREA 20.0M²

GROUND PLAN	CZU211
REV	00
DRAWN	IM
SCALE	1:50 @ A3
DATE	05.07.18
SAFETY SURFACE AREA	
HOLE A	300X300X800 DEEP
HOLE F	500X500X800 DEEP

design
make
play
SutcliffePlay