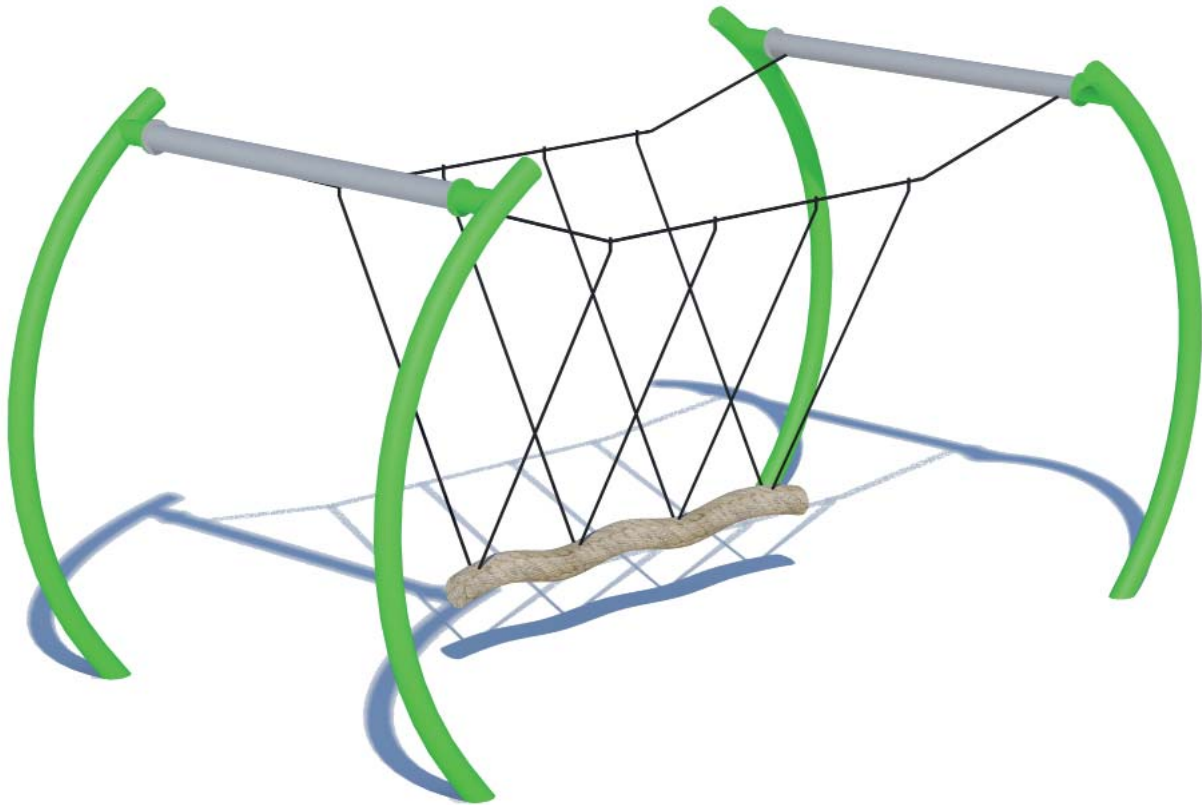


design
make
play

SutcliffePlay

Waggon Lane
Upton Pontefract
West Yorkshire WF9 1JS
Telephone +44 (0) 1977 653200
Facsimile +44 (0) 1977 653222
info@sutcliffeplay.co.uk
www.sutcliffeplay.co.uk



Cobra Swing COB001

Installation Instructions

COB001

Cobra Swing Installation Instructions

1. Check using the parts list that all components have been delivered.
2. Plan the final position of the play equipment, ensuring there is sufficient space
NB: Please consider the extent and HIC of surfacing (see surfacing plan).
AS A MOVING ITEM THE SAFETY AREA CAN NOT BE OVERLAPPED WITH OTHER SAFETY AREAS.
3. PLEASE NOTE THAT AN UNIMPEDED AREA FOR CIRCULATION IS RECOMMENDED (SEE PLAN)
4. Sort and identify parts before assembly, Identify a left leg (ffghfgh), right leg (fgfhfh) and a cross beam (ffghfgh).
5. Excavate the foundation holes in accordance with the plan and play level, ensuring the intended safety surface area is level. This swing **CAN NOT BE INSTALLED ON TO SLOPING GROUND**
6. Assemble the both left & right legs and the crossbar, this is better done in the holes. PLEASE NOTE THE NOTCHES ON THE FLANGE RINGS SHOULD LINE UP. **IT IS RECOMMENDED THAT APPROPRIATE LIFTING** gear be employed for this item.
7. Set the assembly at the correct height from the play level (measured from the indicator on the legs and taken to the bush in the D shackles on the cross beam) and ensure the cross beam is level
8. Repeat the process for the other end of the swing, ensuring both cross beams are parallel and that the swing bosses are aligned and are the correct distance apart using the installation bar as shown on page 6 (see plan & elevation)

COB001

Cobra Swing Installation Instructions



9. Fill the foundation hole to the required depth with concrete. Float off upper surface to enable run-off away from ground fixing uprights. Leave the unit for at least 3/4 days to enable the concrete to fully set BEFORE hanging the rope assembly.
10. Proceed to hang the rope assembly using the D shackles supplied, ensuring the rope are not twisted or misaligned. The plaited rope seat should be set to at least 400mm above the play level (Please note this can be adjusted by cropping the 8mm chain links)
11. Check that all fixings are tightened as capped were appropriate.

PLEASE NOTE THE EQUIPMENT SHOULD BE ISOLATED FROM USE UNTIL INSTALLATION AND SURFACING WORKS ARE COMPLETED AND APPROVED>

NB: During installation, care must be taken to prevent hazards to children. If you are at all unsure or have any questions, please contact the contracts department immediately for their assistance and advice.

COB001

Inclusive Scooter Roundabout Parts List List



Left Leg x 2
(COB004)



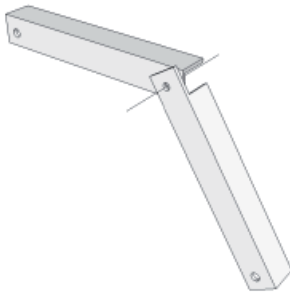
Right Leg x 2
(COB003)



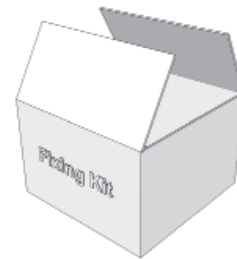
Cross Beams x 2
(COB002)



Rope/Chain Assembly x 1
(COB012)



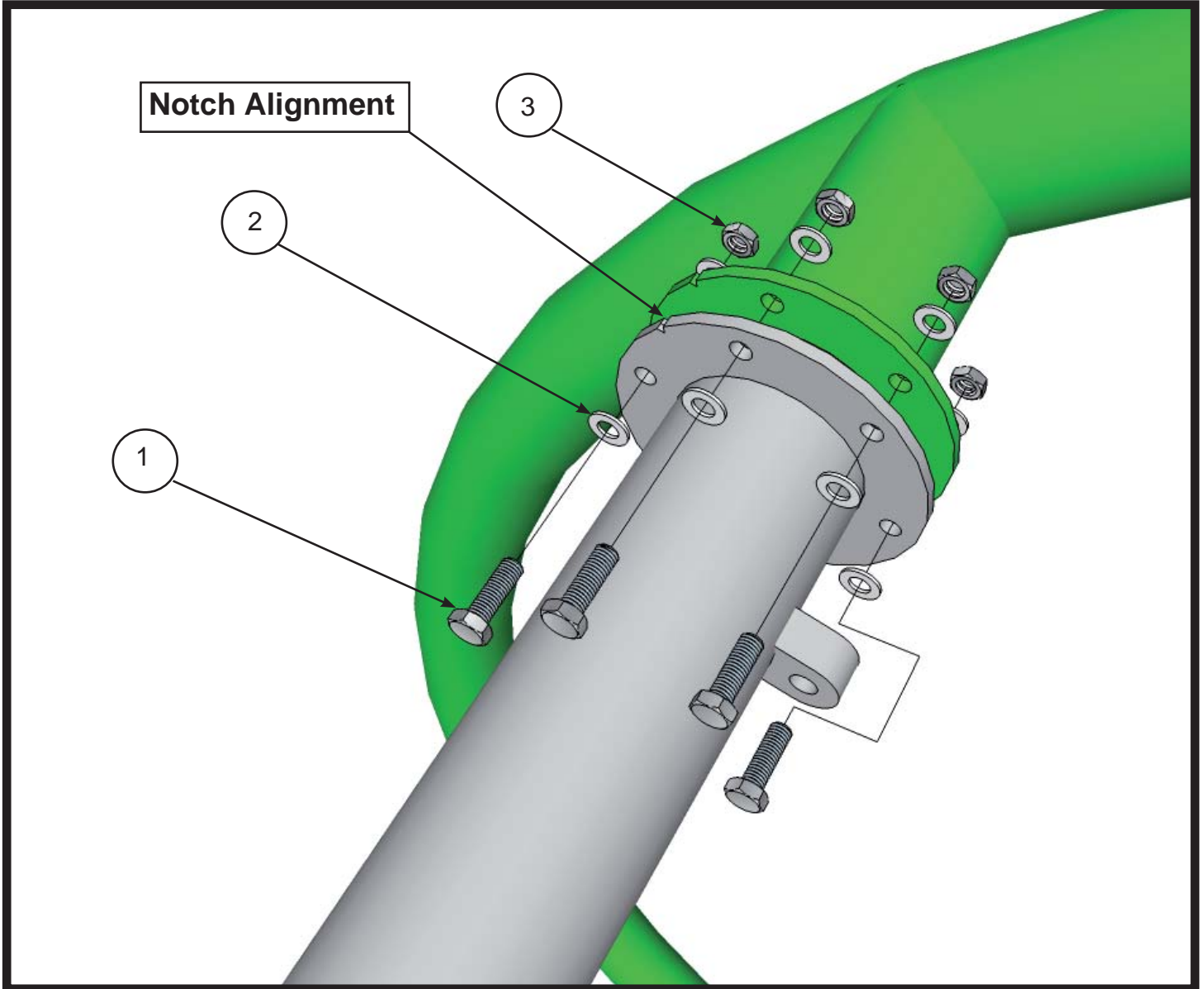
Installation Bar x 2
(COB020)



Fixing Kit x1
(COB001F)

COB001

Cobra Swing
General Assembly of Parts



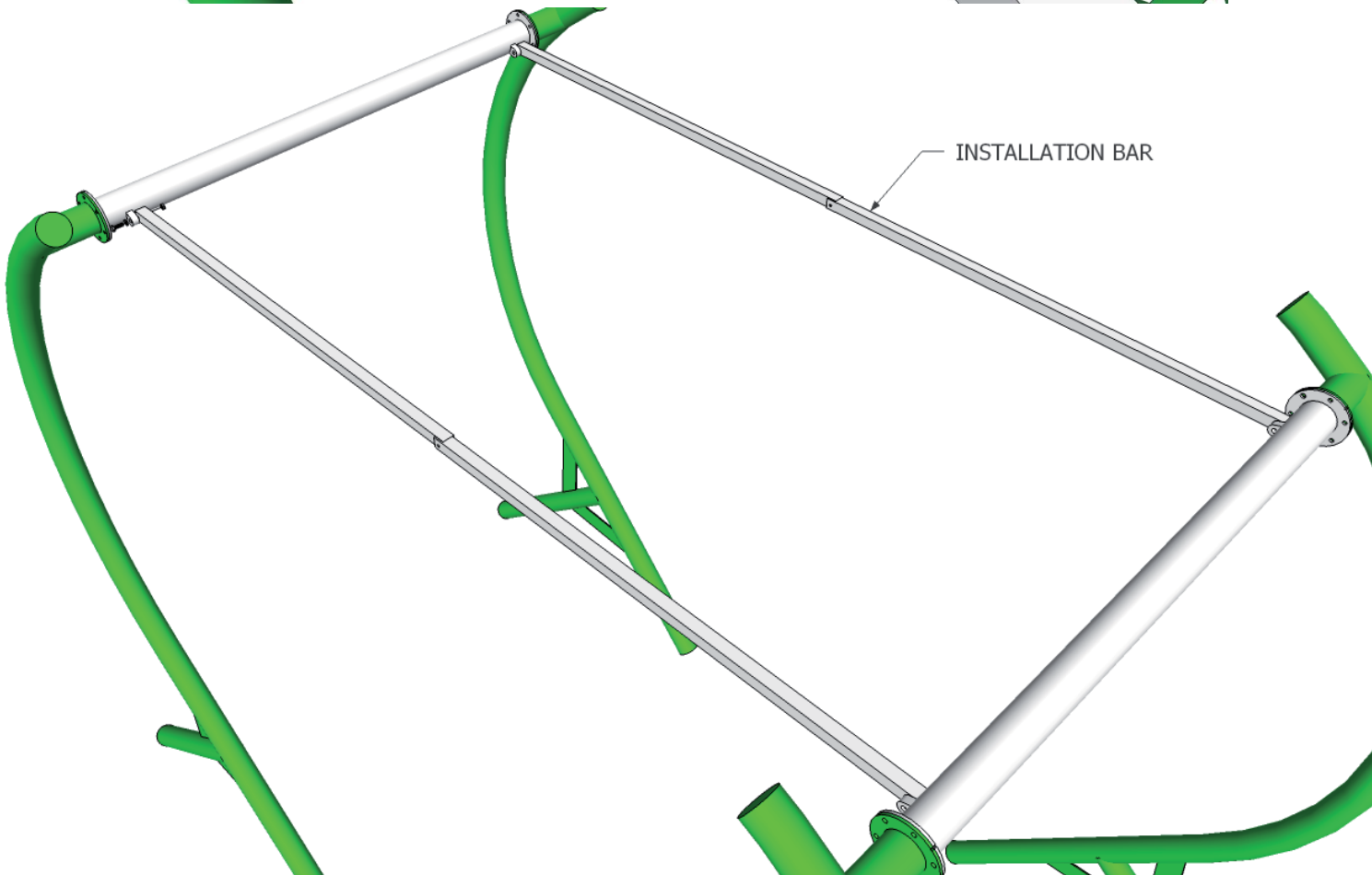
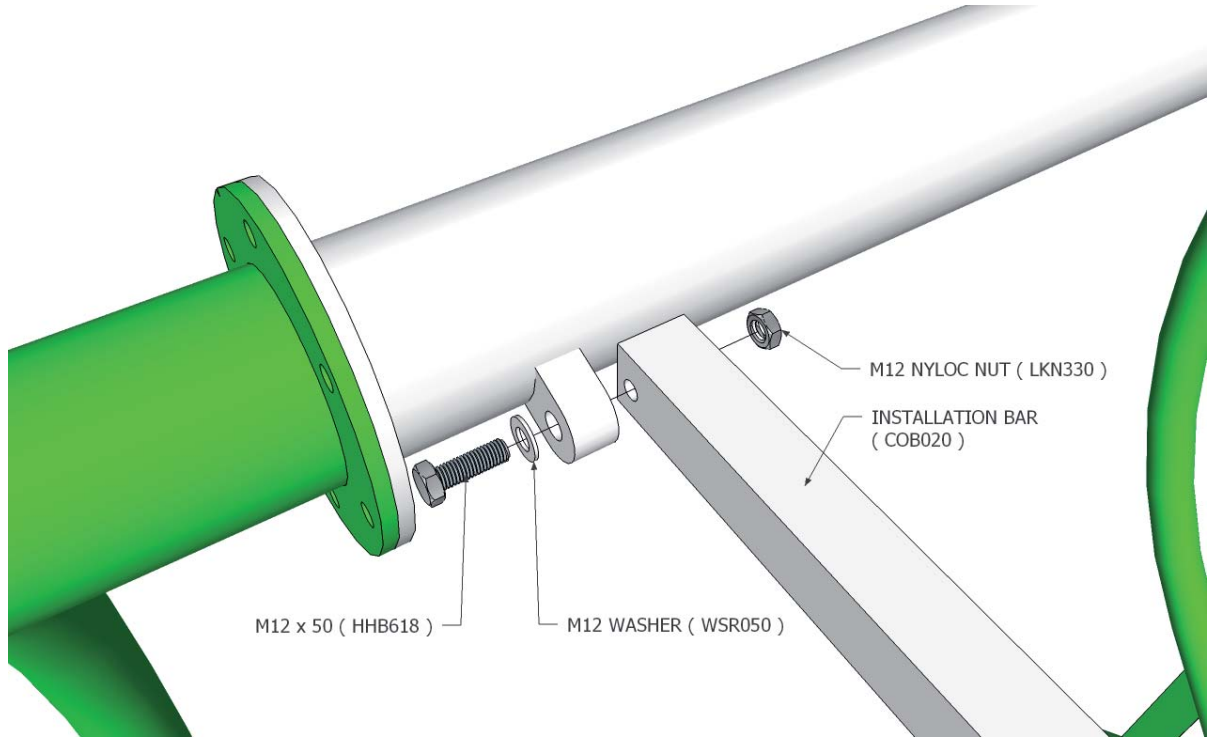
	Code	Description	Qty
1	HSS615	M12 x 35 Hex Head Bolt	24
2	WSR050	M12 Washer	48
3	LKN330	M12 Nyloc Nut	24

COB001

Cobra Swing

General Assembly of Parts

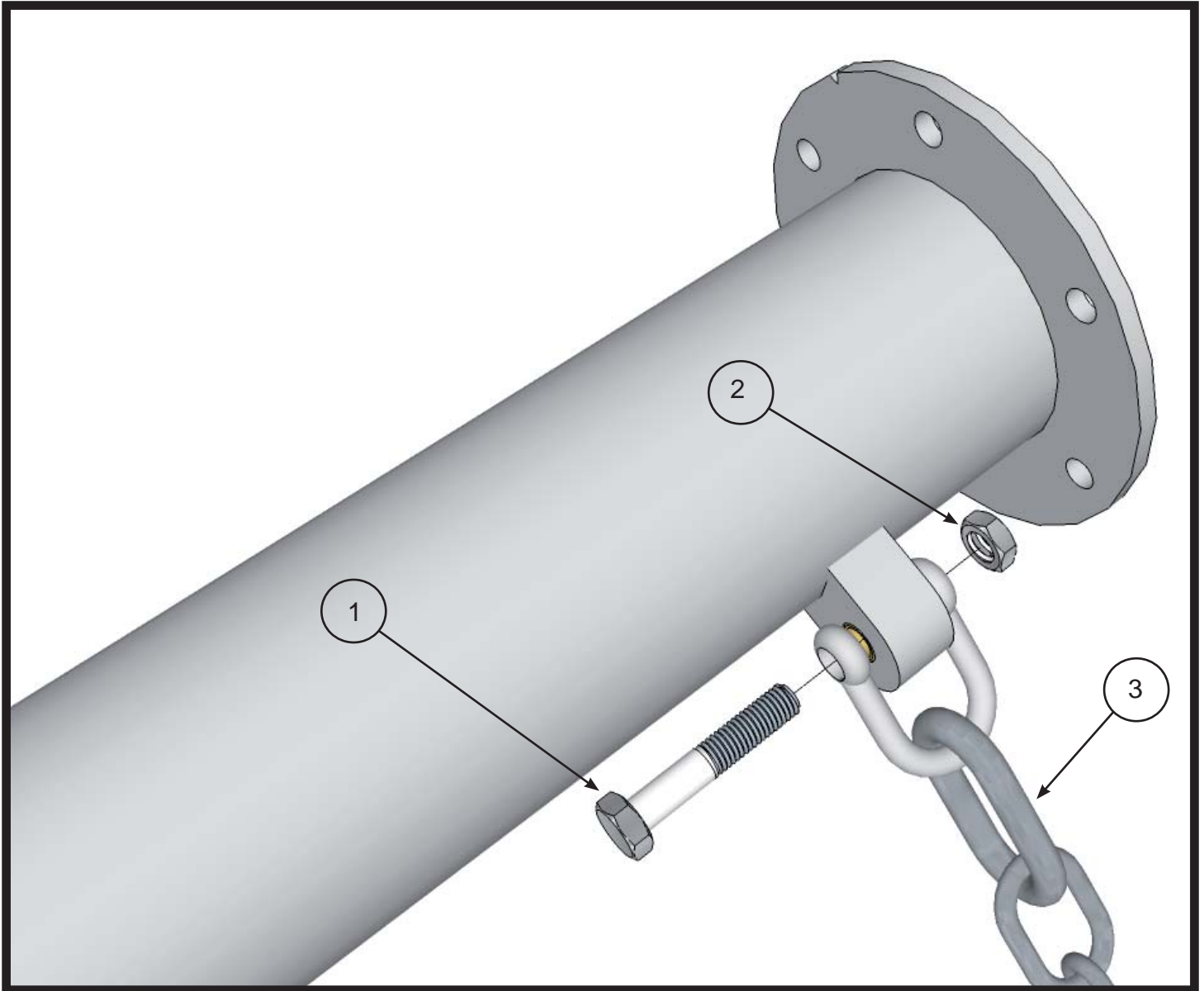
design
make
play
SutcliffePlay



COB001

Cobra Swing General Assembly of Parts

design
make
play
SutcliffePlay



	Code	Description	Qty
1	HHB624	M12 x 65 Hex Head Bolt	4
2	LKN330	M12 Nyloc Nut	4
3	COB012	Rope/Chain Assembly	1

COB001

Cobra Swing Maintenance Instructions



NB: The warranty is invalidated if these instructions are not followed. All wood needs annual inspection and retreatment where required.

Recommended Regular Inspection and Maintenance

	Interval Days				
	7	14	28	56	365
Check stability of structure, tighten connections if required.	<input type="checkbox"/>	<input type="checkbox"/>	<input type="checkbox"/>	<input checked="" type="checkbox"/>	<input type="checkbox"/>
Check rotating and pivot points for wear and smooth running, lubricate or replace if required.	<input type="checkbox"/>	<input type="checkbox"/>	<input type="checkbox"/>	<input checked="" type="checkbox"/>	<input type="checkbox"/>
Check all painted elements for damage, rub down and repaint or replace as required.	<input type="checkbox"/>	<input type="checkbox"/>	<input type="checkbox"/>	<input checked="" type="checkbox"/>	<input type="checkbox"/>
Check all ropes and rope fixings for wear and damage, replace if required.	<input type="checkbox"/>	<input checked="" type="checkbox"/>	<input type="checkbox"/>	<input type="checkbox"/>	<input type="checkbox"/>
Check all chains and D shackles for wear, replace as required	<input type="checkbox"/>	<input type="checkbox"/>	<input type="checkbox"/>	<input checked="" type="checkbox"/>	<input type="checkbox"/>
Check rubber safety surfaces for damage and poor performance, repair or replace if required.	<input type="checkbox"/>	<input type="checkbox"/>	<input checked="" type="checkbox"/>	<input type="checkbox"/>	<input type="checkbox"/>

Disposal Instructions

All components should be broken down into categories of:-

- 1 **Mild Steel** - all 38mm Ø tube, step/ring climbers, welded bar, swing frames, deck frames, springie frames.
- 2 **Stainless Steel** - all slides, mirror panels.
- 3 **Aluminium** - all Playzone, Mission and Toddlerzone posts.
- 4 **Galvanised Steel** - all chains and Teenzone posts.
- 5 **Moulded Rubber Products without steel inserts** - all Mission and Toddlerzone Caps and edge details.
- 6 **Timber** - all natural timber, plywood, and MDF panels.

Wherever possible these materials should be taken to specialist recycling organisations and recycled. In some cases where composite materials are used, then disposal at land fill sites is the only alternative such as:

- 7 **Moulded Rubber Products encasing steel inserts** - all Swing Seats, Deck Tops, Duo/Dizzy Disc Tops.
- 8 **High Pressure Laminate** - all Toddlerzone, Playzone, Minizone, Teenzone and Themed panels.
- 9 **Steel Core Polypropylene Rope** - all Swing ropes, Space Nets, Playzone/Toddlerzone/Mission Ropes.