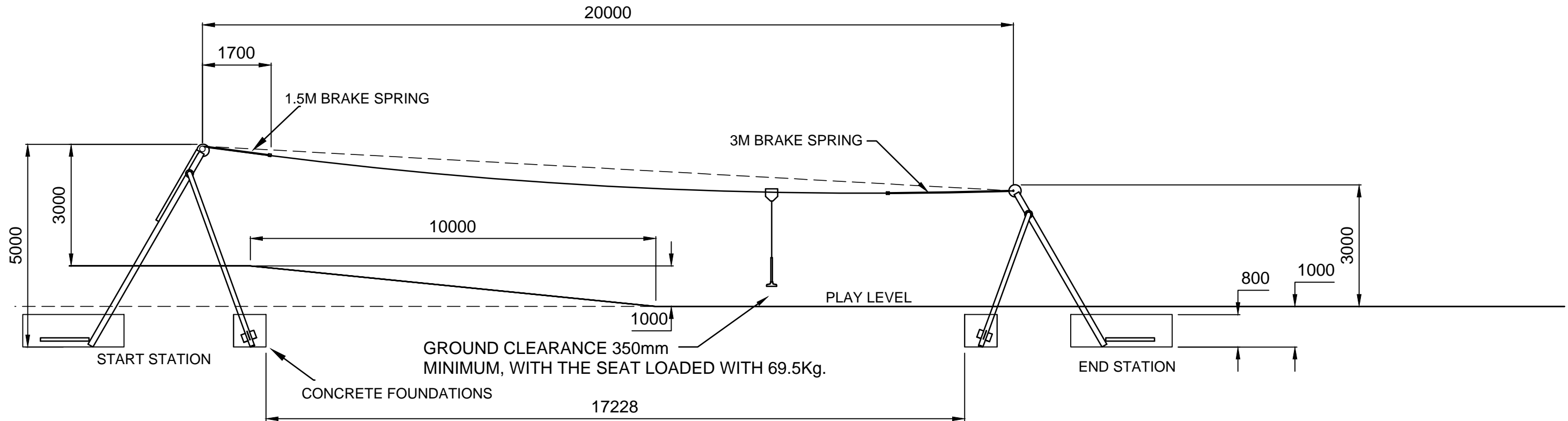
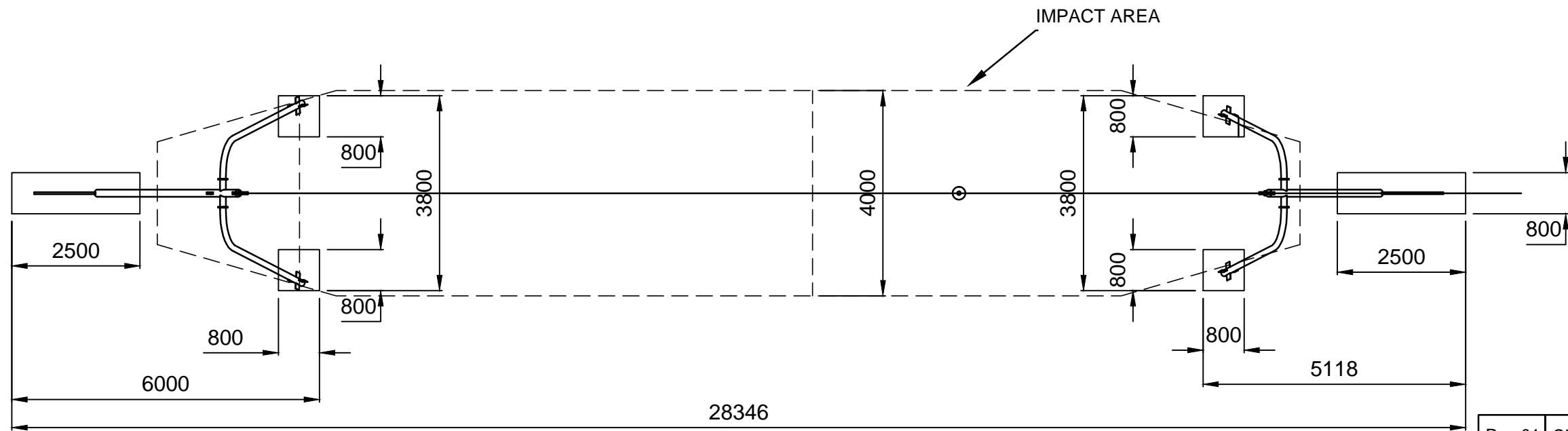


DRG No CAM020	REV 01
------------------	-----------



IMPACT AREA
AREA 82m²
HIC 1.0m



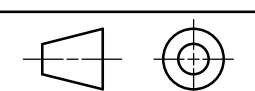
Rev 01	CHANGE SEAT CLEARANCE	PM 21/02/18
--------	-----------------------	-------------

PAGE 1 OF 2
DO NOT SCALE THIS DRAWING

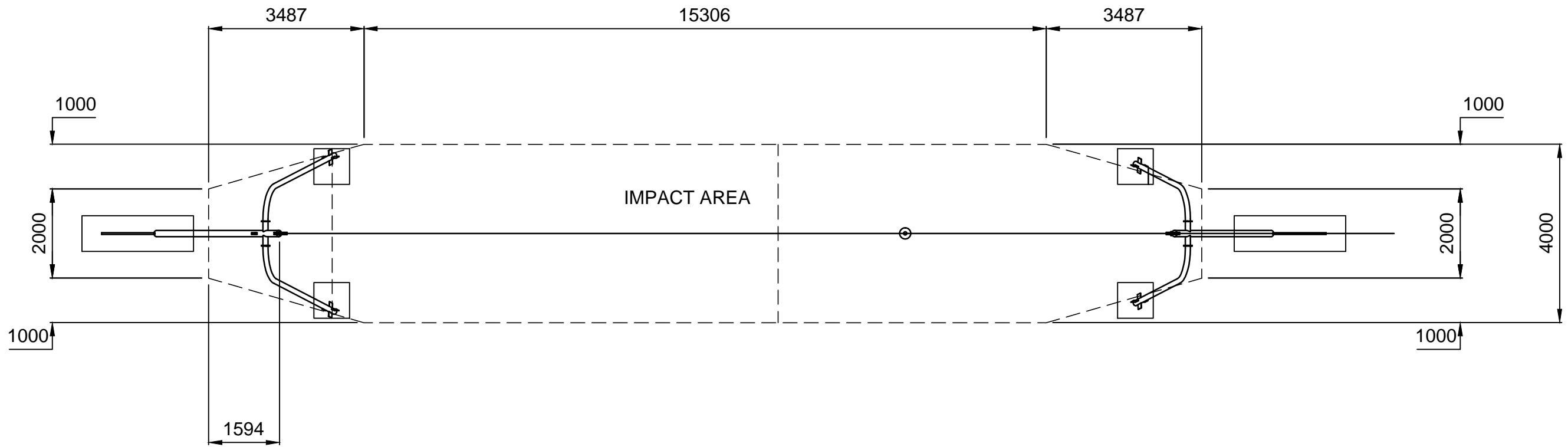
GENERAL TOLERANCES
UNLESS OTHERWISE STATED
DECIMAL PLACES
0 = ±1
0.0 = ±0.5
0.00 = ±0.05
ANGULAR TOLERANCE
±1°
ALL WELDS TO WPS1
WELDING SPECIFICATION
UNLESS OTHERWISE STATED

TITLE
**CABLE WAY 20M
MOUND TYPE**

*design
make
play*
SutcliffePlay


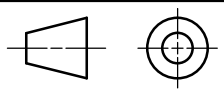
REVISION	DESCRIPTION		
DRAWN BY	IM	 FIRST ANGLE PROJECTION	
CHECKED			
SCALE	1:100	DRG No	REV
DATE	01.02.11	CAM020	01

DRG No CAM020	REV 01
------------------	-----------



IMPACT AREA
 AREA 82m²
 PERIMETER 49.1m
 HIC 1.0m

PAGE 2 OF 2
 DO NOT SCALE THIS DRAWING

GENERAL TOLERANCES UNLESS OTHERWISE STATED DECIMAL PLACES 0 = ±1 0.0 = ±0.5 0.00 = ±0.05 ANGULAR TOLERANCE ±1° ALL WELDS TO WPS1 WELDING SPECIFICATION UNLESS OTHERWISE STATED	TITLE 20m CABLE WAY MOUND TYPE IMPACT AREA DIMENSIONS				REVISION DRAWN BY IM	DESCRIPTION 
	CHECKED	SCALE 1:100			DRG No CAM020	REV 01
	DATE 01.02.11					