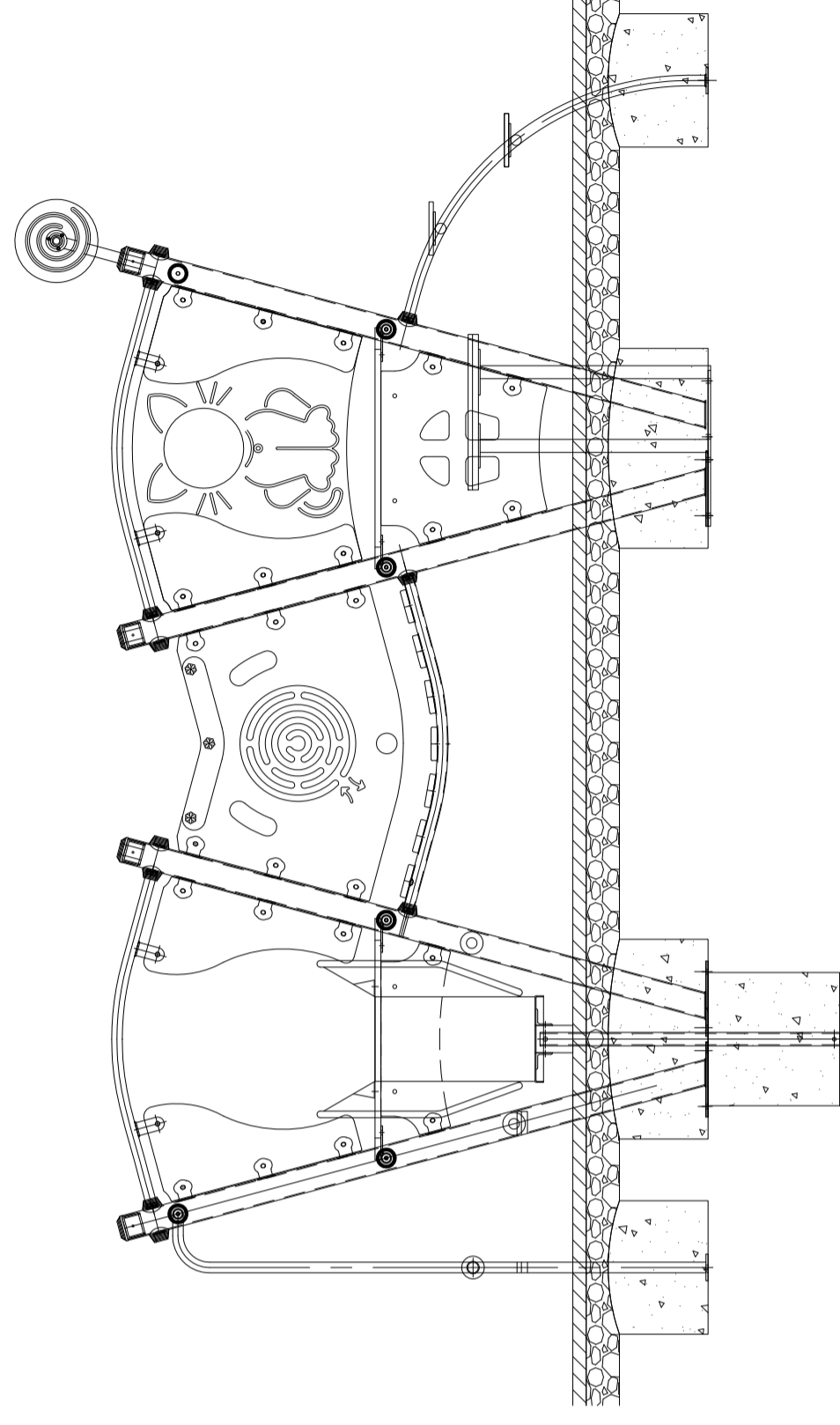
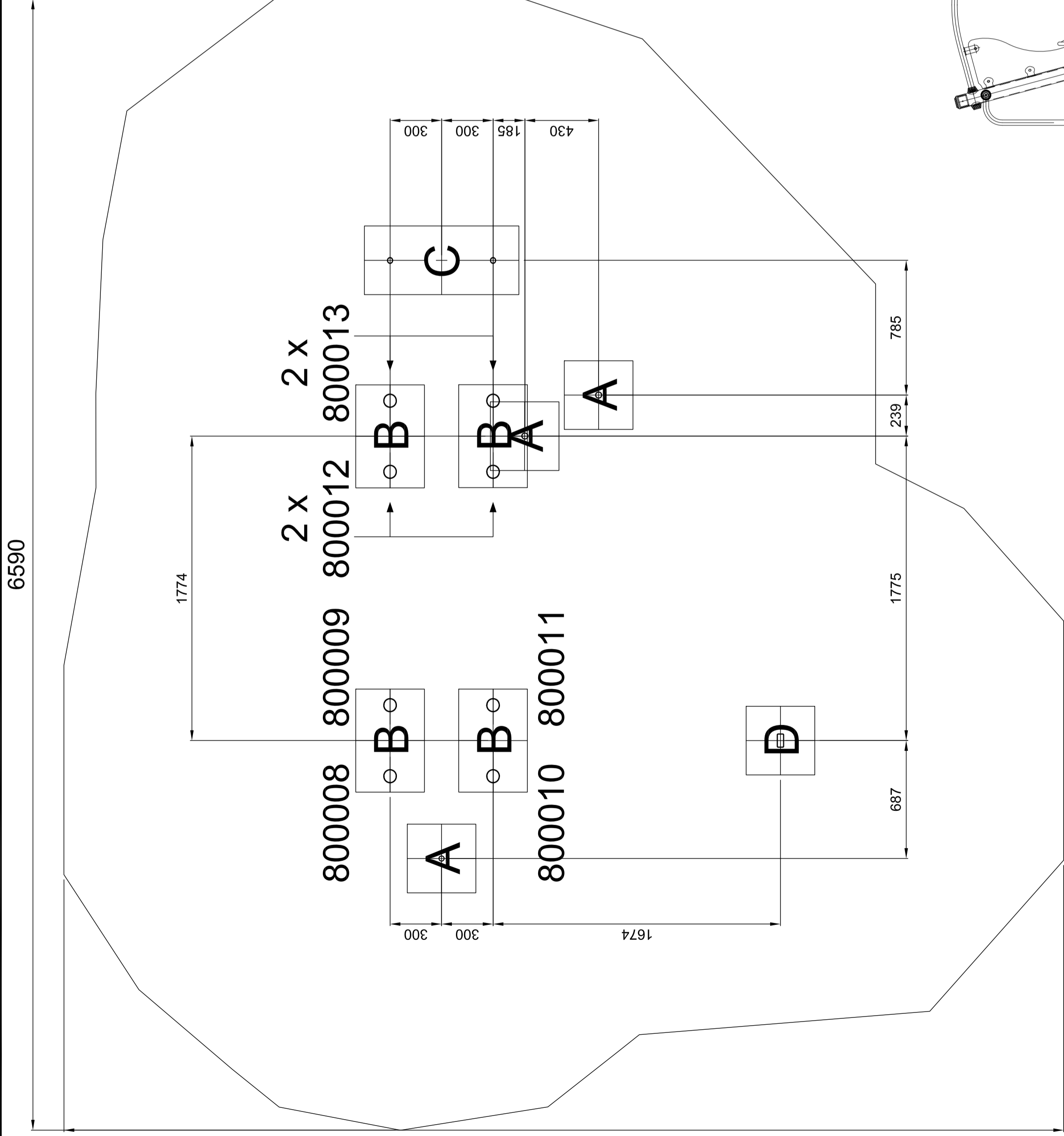
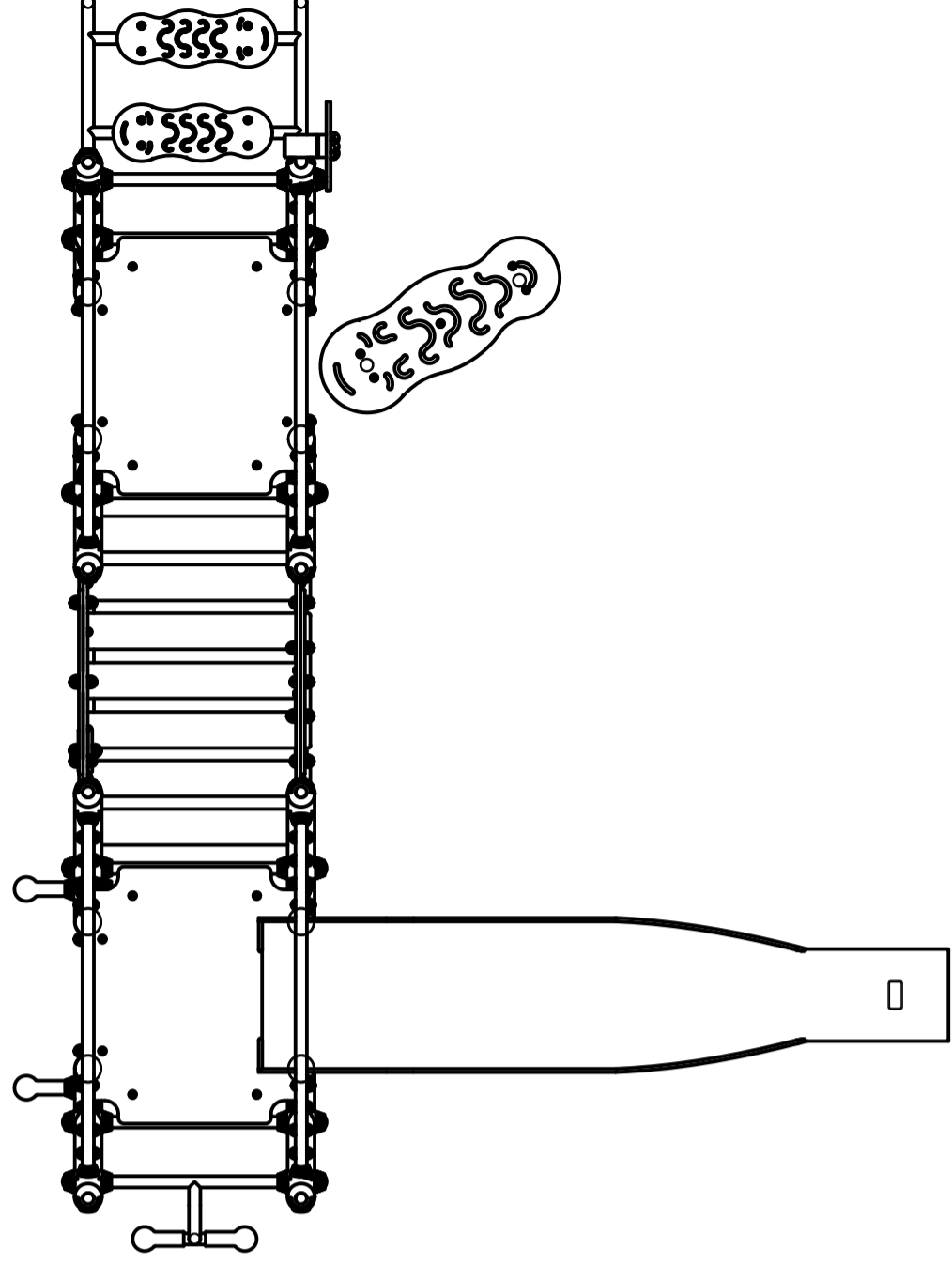
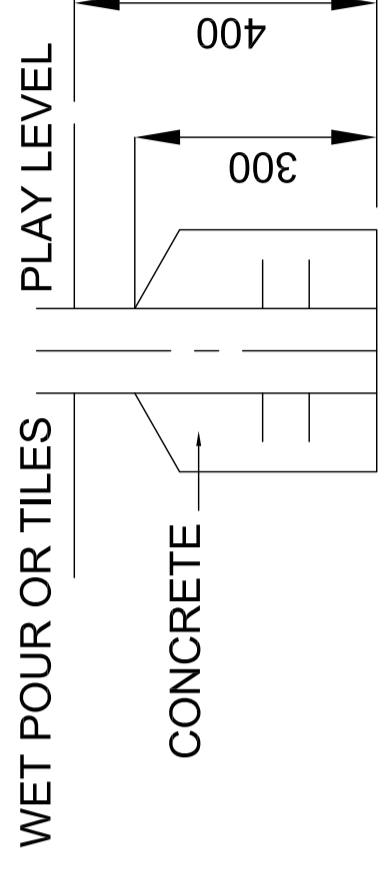


FOUNDATION DETAIL  
TO EN1176



GROUND PLAN SHEET	MTW007
REV	1 of 1
DRAWN	01 (22.12.17)
SCALE	SH
DATE	1:20 @ A2
SURFACE AREA	11/08/17
HOLE A	HIC: 0.6m
HOLE B	AREA: 29.4m <sup>2</sup>
HOLE C	PERIMETER: 20.6m
HOLE D	HOLE A 400x400x400 DEEP
HOLE E	HOLE B 400x600x400 DEEP
	HOLE C 400x900x400 DEEP
	HOLE D 400x400x800 DEEP
	HOLE E

ALTHOUGH THIS UNIT DOES NOT REQUIRE SAFETY SURFACING WHEN INSTALLED IN TO GRASS, NO HARD EDGES ARE PERMITTED WITHIN THE MINIMUM USE ZONE AS INDICATED ON THIS PLAN.

PLEASE DO NOT SCALE THIS DRAWING.  
SCALE 1:20 WHEN PRINTED ON A2.